

SPECIFICATIONS

Model	Lifting Capacity	Lifting Height	Lifting Time	Overall Height	Overall Width	Drive Thru Clearance	Width Between Columns	Minimum Pad Height	Motor
PK4.0OH	4000Kg	1930 - 2200mm	60 Seconds	3604mm	3516mm	2622mm	2850mm	105mm	2.0 / 3.0 HP

FEATURES

- 4000kg Capacity
- Baseplate Design
- Dual hydraulic direct-drive cylinders
- Single point safety release with dual safety design
- Supersymmetric arm design
- Automatic arm locks
- Combination screw pads

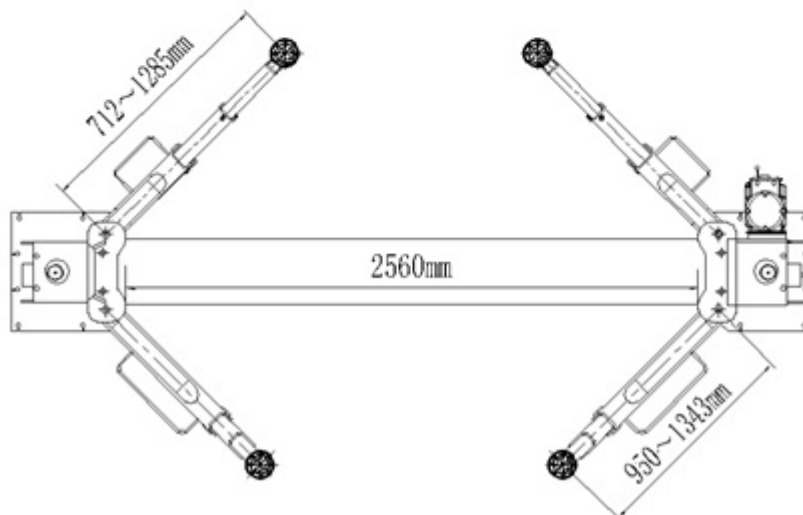
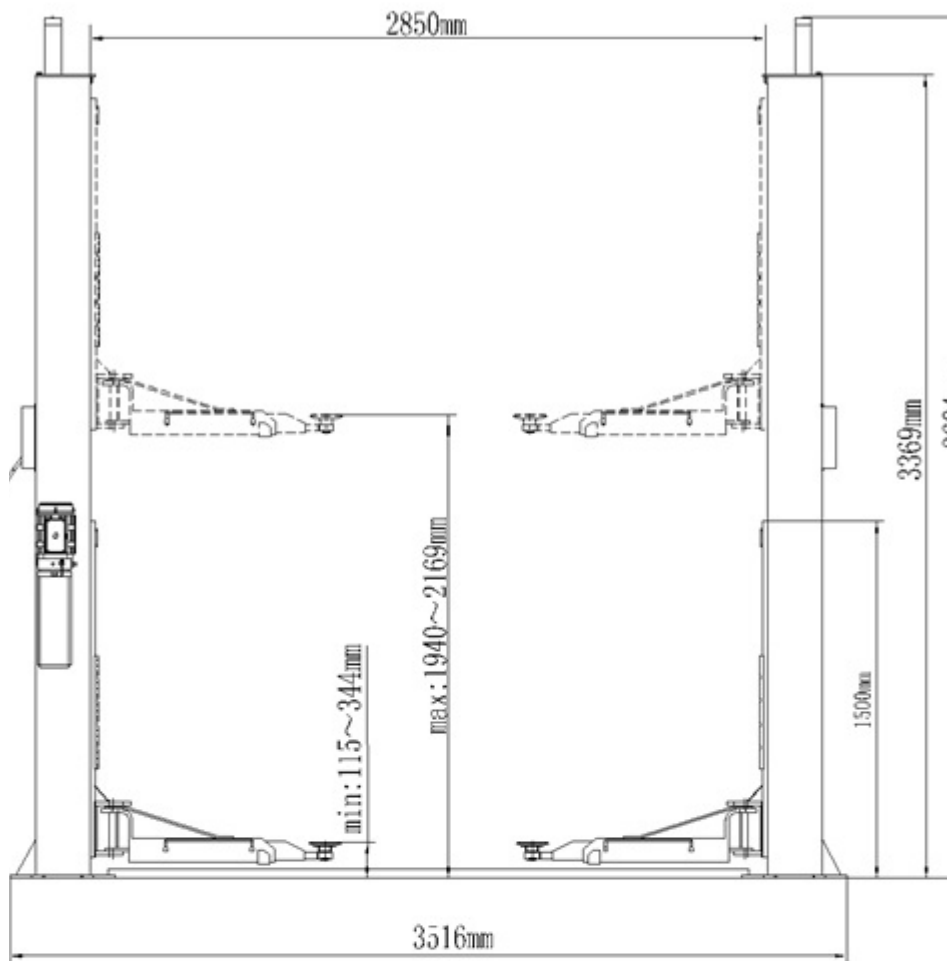
- Stackable adapters and hydraulic oil included
- Installation service available subject to location
- 2 Year hydraulic, electrical and mechanical warranty
- 5 Year structural warranty
- Australian Standards Certification
- Worksafe Design Registration

Tufflift Hoists Australia

Head Office 2 Dairy Drive, Coburg North, VIC 3058 Phone +61 3 9470 7200
 Fax +61 3 9470 7209 Email enquiries@Tufflift.com.au Freecall 1800 Tufflift (88 33 54)



HOISTS FOR EVERY SPACE



Tufflift Hoists Australia

Head Office 2 Dairy Drive, Coburg North, VIC 3058 Phone +61 3 9470 7200
Fax +61 3 9470 7209 Email enquiries@Tufflift.com.au Freecall 1800 Tufflift (88 33 54)



HOISTS FOR EVERY SPACE