

MID RISE SCISSOR LIFT

EE-TS6600

1200MM
Lifting Height

3000KG
Lifting Capacity

Double Safety
Hydraulic and Mechanical

Dual Cylinder
Ensure stable raising and lowering



MAIN FEATURES

- Manual safety lock release.
- Easy to move.
- Dual cylinder structure, ensure stable raising and lowering.
- Ideal for tire service and narrow bays.
- Mobile or fixed mount design.
- Powder coated finish.
- It has been proofed by dynamic test with 115% of rated capacity and static test with 150% capacity.

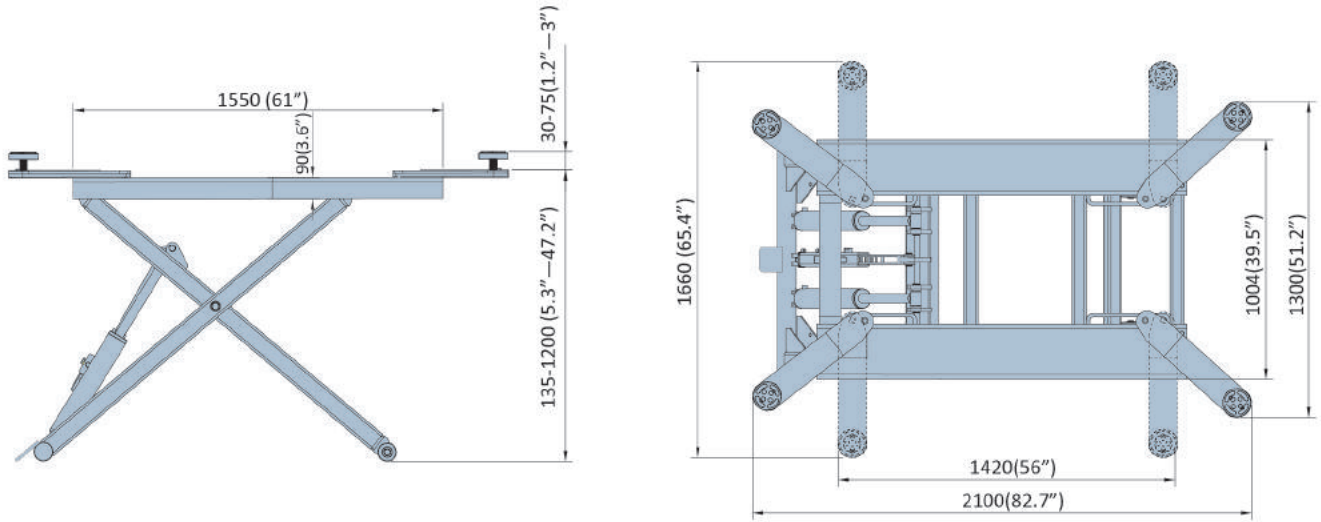
TECHNICAL DATA

MODEL NO.	EE-TS6600
Lifting capacity	2700Kg
Max lifting height	1,200mm(47.3")
Min height	135mm(5.3")
Lifting time	45S
Capacity of motor	2.2Kw
Air supply	6~8Kg/cm ²
Net weight	450kg(990lbs)
Electricity supply	220V/230V/380V/400V

MID RISE SCISSOR LIFT

EE-TS6600

OVERALL DIMENSION



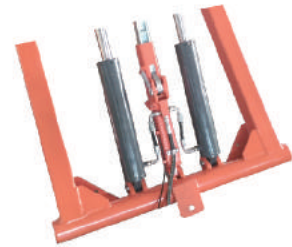
DETAIL DISPLAY



Straight Arm



Mechanical Safety Lock



Dual Cylinder Structure



Low Voltage & Movable Control Unit



Lowest Position

