



# Hoists for every space

The Tufflift ProCycle motorcycle hoist with drop tail is ideal for both enthusiast and professional. Built to the highest quality specifications with the addition of the removable droptail, allows better access to the rear end for loading and unloading. Tufflift offers an extensive range of both bike and car workshop plus storage solutions and we have a hoist to suit every space and budget.

## TL0.45MH

### ProCycle Drop Tail features:

- Air Operated Foot Pedal
- Front Wheel Stop
- Diamond Plated Steel
- XLT kit and Blackjack is an optional accessory
- Rear Stability Bar
- Removeable Front Vice with protective rubber inserts
- 5 Locking Positions

**View our complete range at [www.tufflift.com.au](http://www.tufflift.com.au)**

**Freecall 1800 88 33 50**

**HEAD OFFICE / WAREHOUSE**  
46 Saintly Drive, Truganina VIC 3029

**NSW WAREHOUSE**  
Smithfield NSW 2164

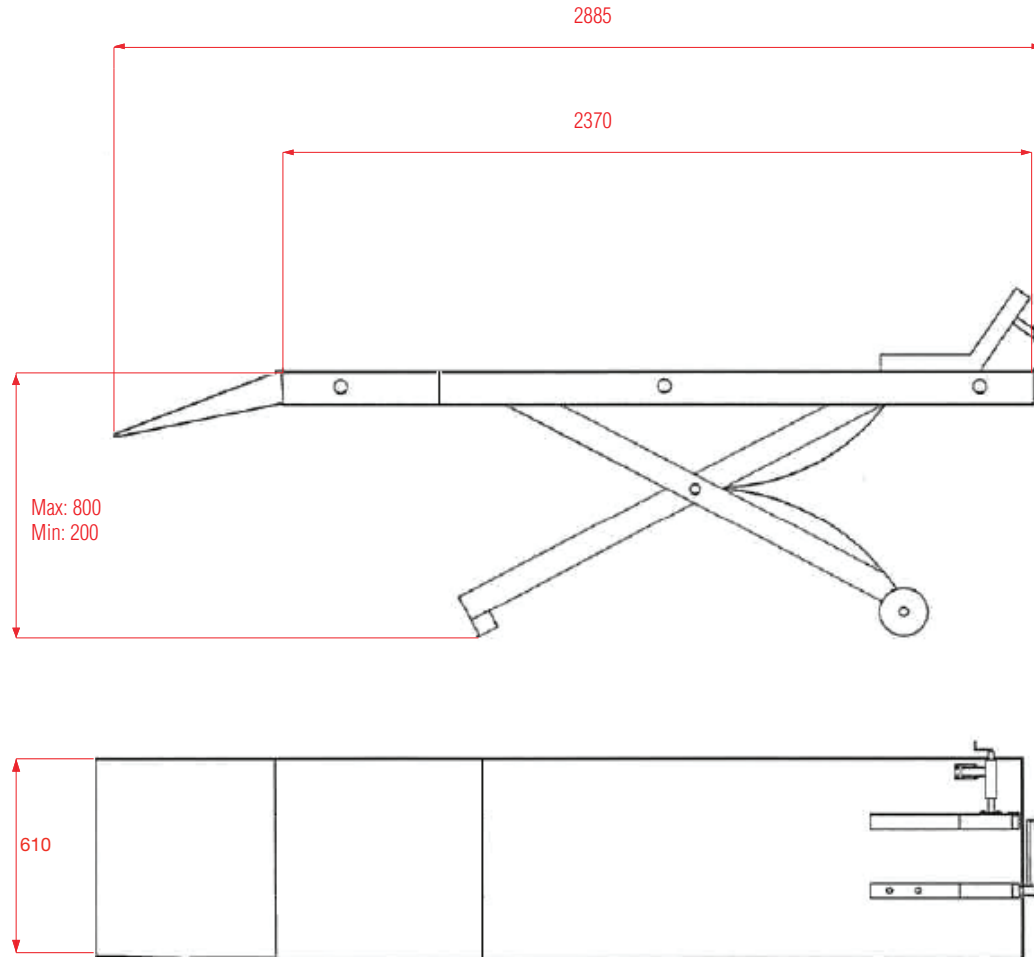
**QLD WAREHOUSE**  
Richlands QLD 4077

**WA WAREHOUSE**  
Perth Airport WA 6105



HOISTS FOR EVERY SPACE

# TL.45MH



## Specifications

Model	Lifting Capacity	Lifting Height	Lifting Time	Overall Length (Inc. Ramp)	Runway Length	Overall Width	Min. Height	G.W	Air Pressure
TL.45MH	450 Kg	800 mm	20 sec	2885 mm	2370 mm	610 mm	200 mm	207 Kg	90-100 PSI