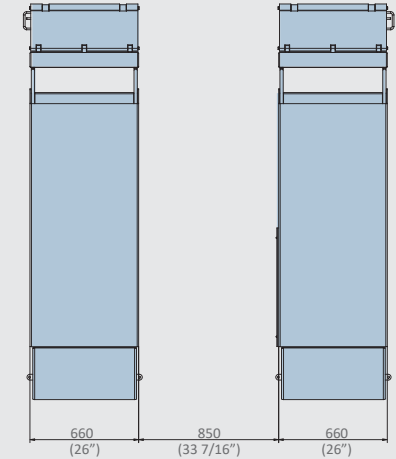
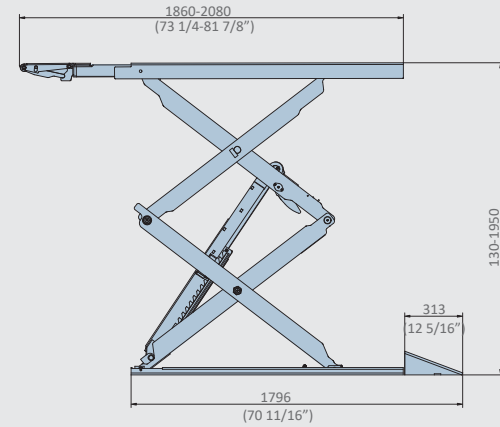




**OVERALL DIMENSION**



Anti-abrasion Slider



Height Limit Switch



Mechanical Safety Lock



24V Safe Control System

**EE-65A.40T**

**FULL RISE SCISSOR LIFT**

- 4000KG(9000LBS.) lifting capacity.
- Surface or recessed mount.
- 130mm(5 1/8") initial height.
- Four cylinder design.
- Pneumatic released safety locking system
- Drive-on ramps lock into position as platform extensions.
- Steady raising and lowering, no noise when lowered to ground.
- Durable cylinders with anti-surge valves.
- 24V safe control system.
- Height limit switch.
- Powder coated finish.
- Self-lubricated bushing and bearing.
- Aluminum motor with fan on top to avoid overheating caused by long time working.
- It has been proofed by dynamic test with 115% of rated capacity and static test with 150% capacity.

**TECHNICAL DATA**

MODEL NO.	EE-65A.40T
Lifting capacity	4000Kg(9000LBS.)
Max lifting height	1950mm(76 3/4")
Min height	130mm(5 1/8")
Lifting time	50-60S
Capacity of motor	2.2kW / 3.0kW
Air supply	6-8bar
Platform width	650mm(25 5/8")
Weight	1000Kg(2200LBS.)
Electricity supply	According To Customer Needs

\* Machine shown with optional equipment. Actual product appearance may differ.



Start-Up Plate



Four Cylinder Design