

EE-62C

CLEAR FLOOR



FEATURES

- » **4200 kg Safe working limit**
- » **Certified to Australian standards, Worksafe design registered**
- » **Lifting height of 1.9 m**
- » **Overall height 3.9 m tall**
- » **Clear floor design**
- » **Full electronic controls**
- » **Aluminium power unit**
- » **Available in single or 3-phase, no additional cost**
- » **Low profile arms available 90 mm (optional)**
- » **1-piece column, durable powder coating**
- » **Curtain inside column**
- » **Combination screw pads plus 4WD adapter**
- » **240v or 3 phase power unit**
- » **Oil resistant pads**
- » **Durable powder coating**
- » **Door protection pads**
- » **Hydraulic oil supplied in the kit**

BENEFITS

- Easily lift most passenger, 4WD and light commercial vehicles
- Mandatory in a commercial workshop environment (All products are certified regardless of the environment)
- Suitable for taller technicians
- Suitable for taller vehicles, Vans and 4WDs
- Easy movement of maintenance equipment under the raised vehicle
- Ease of operation
- Avoids over-heating, quiet operation and longer service life
- Suitable for all workshop facilities
- Suits European and performance vehicles
- Looks fantastic in any environment
- Prevents dirt and dust
- Allows flexibility and expands the range of vehicle types, finer adjustments to maximise lift
- Adaptable in any environment
- Longer life
- Looks fantastic in any environment
- Prevent any possibility of damage when opening doors
- Very convenient, no last minute running around trying to locate oil in small quantity or after hours (DIY installers)

SAFETY

- » **24V controls with isolation switch** Maximum protection for the operator
- » **Pre-set hydraulic pressure and ram limit switch** Prevents overloading the hydraulic system, longer service life
- » **Rubber protected height limit switch bar** Avoid any damage to taller vehicles, i.e. vans, vehicles with roof racks
- » **Arm locks** Arms won't move or slip when carriage leaves the ground
- » **Anti-surge valve** Applies flow control hydraulic system, prevents rapid descent
- » **Ram protection cover** Isolates ram
- » **Carriages are mechanically locked** Impossible for hoist to come down

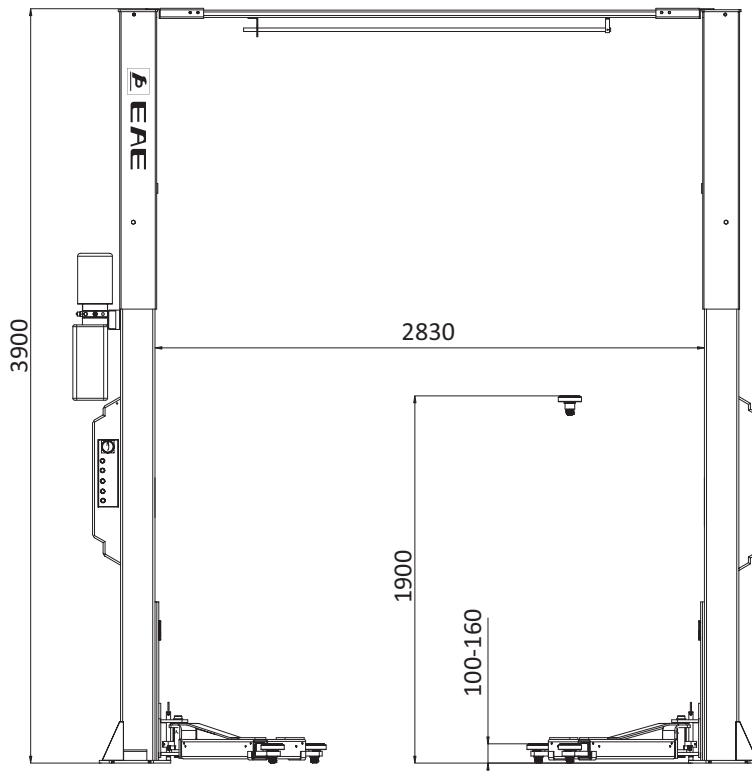
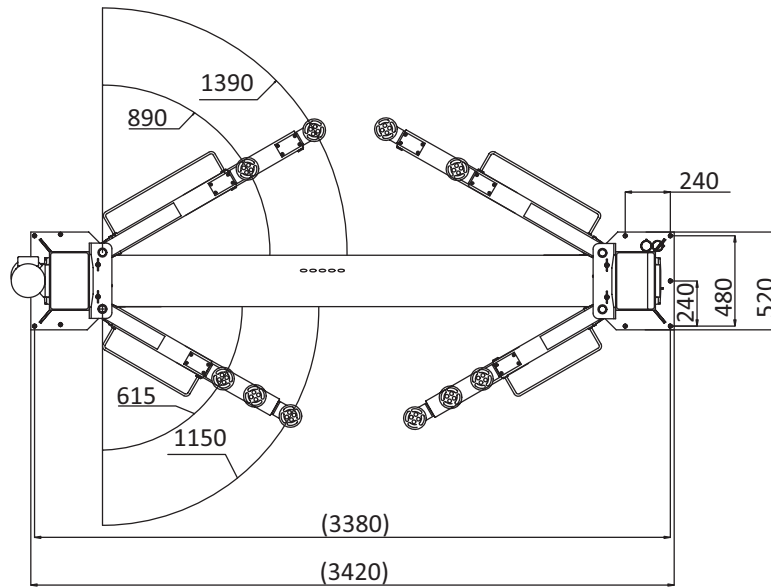
WARRANTY

- » **5 years (structure) + 2 years (electrical & hydraulics) warranty** Some competitor products only have 1 year, extra peace of mind
- » **Warranty** Parts and labour (excludes travel)

View our complete range at www.tufflift.com.au

EE-62C

CLEAR FLOOR



View our complete range at www.tufflift.com.au