



## SPECIFICATIONS

Model	Lifting Capacity	Lifting Height	Lifting Time	Overall Length (inc ramps)	Overall Length (without ramps)	Overall Width	Width Between Columns	Minimum Height	Motor
PK4.0WH	4000Kg	1856mm	55 Seconds	5512mm	4600mm	3208mm	2852mm	220mm	2.0 / 3.0 HP

## FEATURES

- 4000kg Capacity
- Electro-air control operation system
- Mechanical self-locking & air-driven safety release
- Cable driven, electric hydraulic power system
- Skid proof diamond platform
- Adjustable platform with adjustable safety lock ladders

- Dual safety device
- Installation service available subject to location
- 2 Year hydraulic, electrical and mechanical warranty
- 5 Year structural warranty
- Australian Standards Certification
- Worksafe Design Registration

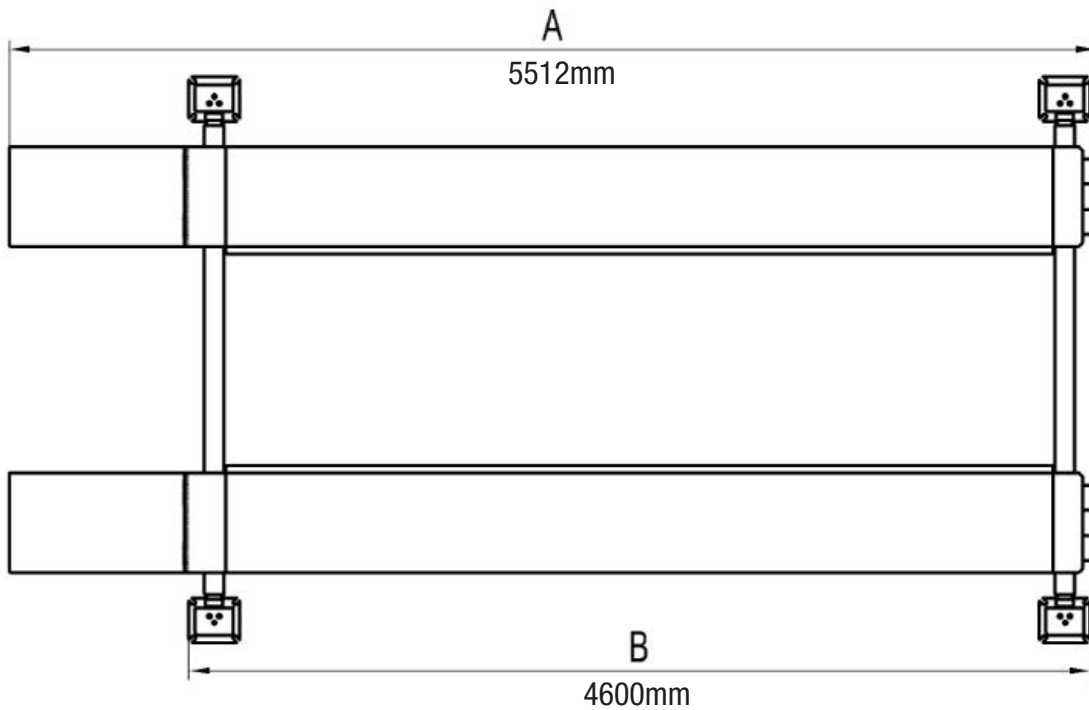
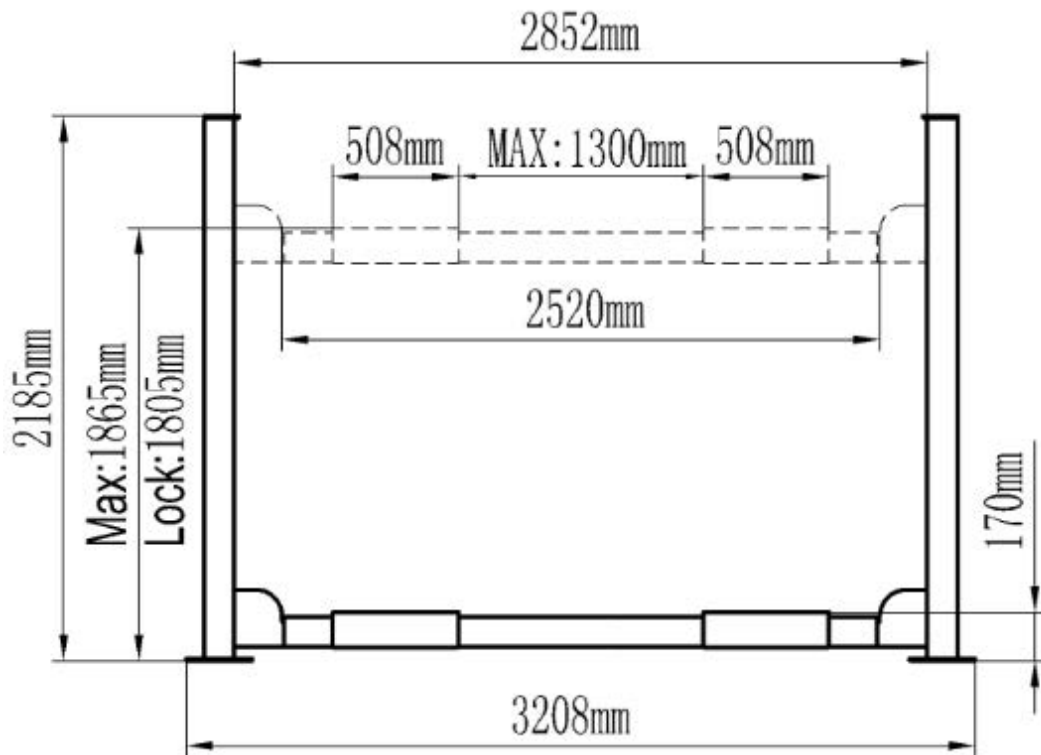
### Tufflift Hoists Australia

Head Office 46 Saintry Drive, Truganina, VIC 3029  
 Phone +61 3 8375 3600 Email sales@tufflift.com.au Freecall 1800 88 33 50



HOISTS FOR EVERY SPACE

PK4.0WH



Tufflift Hoists Australia

Head Office 46 Saintly Drive, Truganina, VIC 3029

Phone +61 3 8375 3600 Email sales@tufflift.com.au Freecall 1800 88 33 50



HOISTS FOR EVERY SPACE