

EE-6501V2

FULL RISE COMPACT SCISSOR LIFT 3T



FEATURES

- » 3000 kg Safe working limit
- » Certified to Australian standards, Worksafe design registered
- » Compact full rise scissor lift, 1.85 m lifting height
- » Fully electronic controls
- » Minimum height 110 mm
- » Four cylinder design
- » Aluminium power unit, with fan
- » Surface mount
- » Drive on ramps and platform extensions lock into position
- » Height limit switch
- » Self-lubricated bushing and bearing
- » Durable powder coating
- » Hydraulic oil supplied in the kit

BENEFITS

- Easily lift most passenger vehicles
- Mandatory in a commercial workshop environment (Tufflift provides on all products regardless of the environment)
- Ideal for workshops where space is a premium
- Ease of operation
- Ideal for most passenger vehicles, optional approach ramps available for low vehicles
- Ideal for low profile scissors, reduces pressure, quiet operation
- Avoids over-heating, quiet operation and longer service life
- Easy installation and low cost
- Act as platform extensions, suitable for longer vehicles
- Prevents overloading the hydraulic system, longer service life
- No maintenance, long service life
- Looks fantastic in any environment
- Very convenient, no last minute running around trying to locate oil in small qty or after hours (DIY installers)

OPTIONS

- » Approach ramp kit
Recommended for some European and performance vehicles
- » SUV kit
Recommended for 4WD vehicles

SAFETY

- » 24V controls with isolation switch
Maximum protection for the operator
- » Mechanical safety lock
Scissor is securely locked while vehicle is elevated
- » Pneumatic safety lock release
Compressor required, larger lifts have generally pneumatic safety lock release
- » Anti-surge valve
Applies flow control hydraulic system, prevents rapid descent

WARRANTY

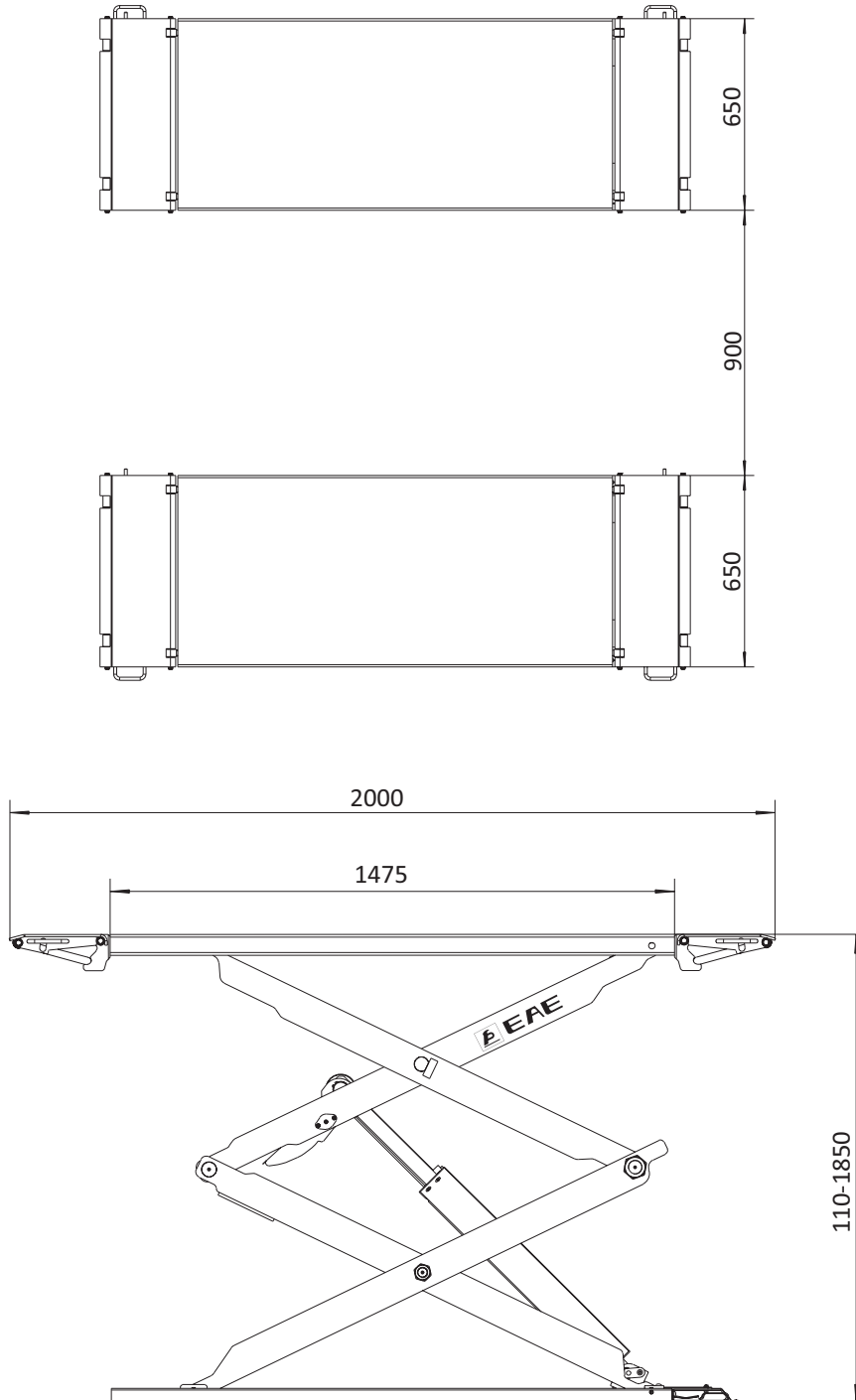
- » 5 years (structure) + 2 years (electrical & hydraulics) warranty
Other products only have 1 year, peace of mind
- » Warranty
Parts and labour (excludes travel)

View our complete range at www.tufflift.com.au



EE-6501V2

FULL RISE COMPACT SCISSOR LIFT 3T



View our complete range at www.tufflift.com.au

AUSTRALIA WIDE DISTRIBUTION WAREHOUSE
MELBOURNE • BRISBANE • ADELAIDE
DANDENONG SOUTH • SYDNEY • PERTH

Freecall 1800 88 33 50

46 Saintly Drive, Truganina VIC 3029



HOISTS FOR EVERY SPACE