



# TL4.0BPDI 2 Post Base Plate Hoist

The TL4.0BPDI is a 4 ton, two post base plate hoist, ideal for low ceiling height or for taller vehicles such as vans. Full of safety features including arm locks, carriage locks and hydraulic system anti-burst valve, this lift is ideal for enthusiasts and workshops alike. With a 4 ton safe working limit, the hoist is suitable for passenger cars, 4WD and light commercial vehicles.

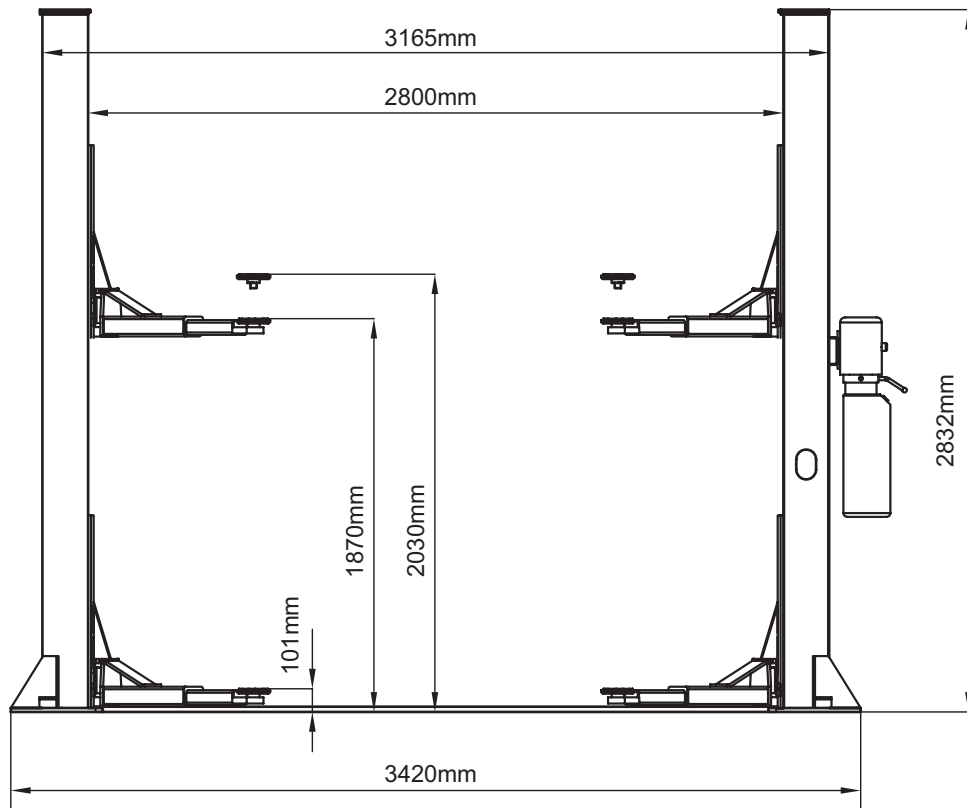
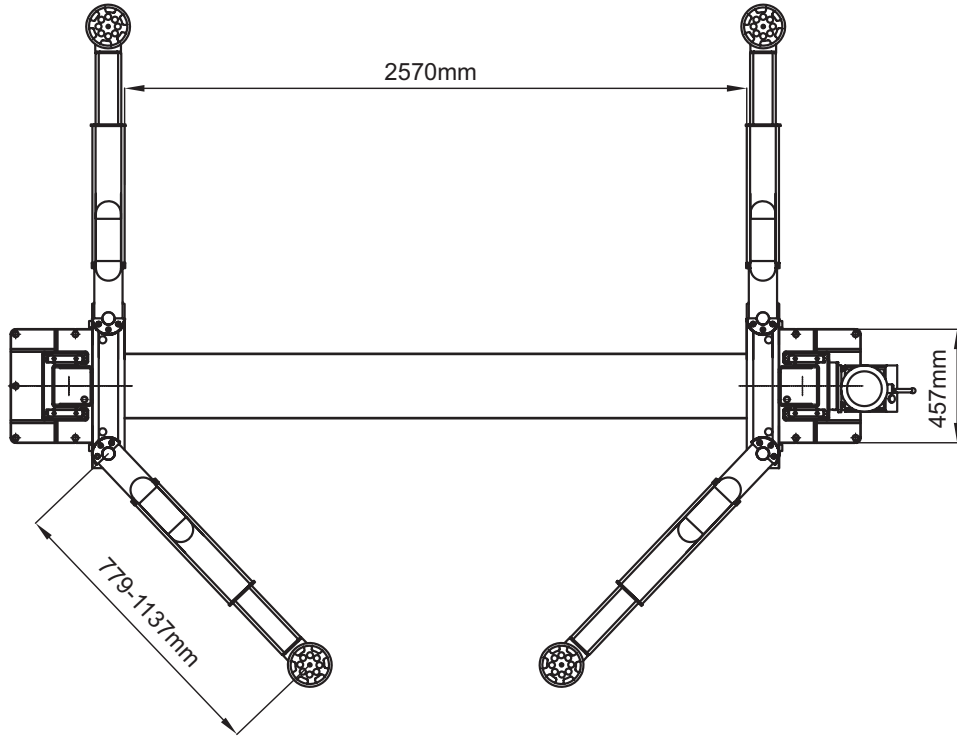
## Features

- Super symmetric 2 in 1 arms
- Available in single or three phase power
- Includes: hydraulic oil, 8 piece pad adapter set, anchor bolts
- Certified and design registered with Worksafe
- Warranty: 5 years on structure and 12 months on electrical and hydraulics
- Pick up, delivery or installation available

## Specifications

- **Lifting capacity:** 4000 kg
- **Lifting time:** 60 seconds
- **Overall height:** 2832 mm
- **Overall floor width (without motor):** 3420 mm
- **Lifting height:** 1870 – 2030 mm
- **Min pad height:** 101 mm
- **Width between columns:** 2800 mm
- **Drive through clearance:** 2570 mm

# TL4.0BPDI - 2 Post Base Plate Hoist



Measurements are correct at the time of publishing, however measurements may change or vary from time to time. If specific measurements are crucial to your facility or vehicle requirements, it is essential for you to discuss your specific requirements with your Tufflift advisor prior to purchasing your new hoist.