

4000KG
Lifting Capacity

One Side Operation
More Convenient

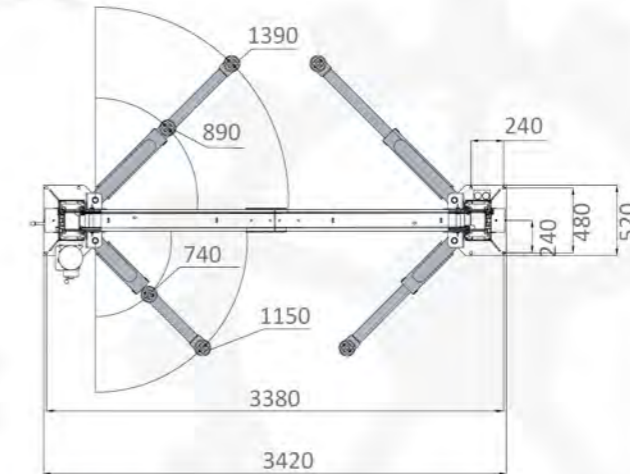
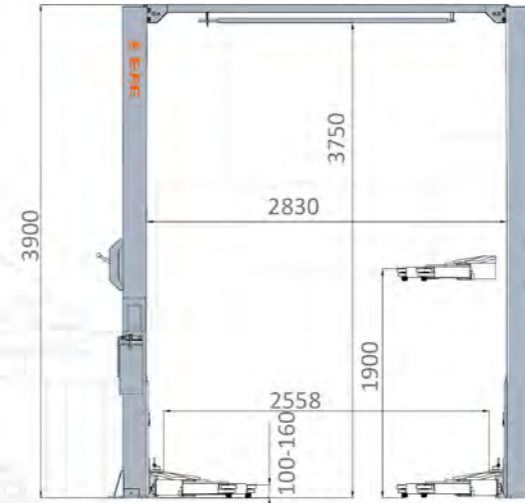


EE-C9

Two Post Clear Floor Hoist

- 4000kg Safe Working Limit.
- Single point carriage mechanical lock release.
- Cylinder straight top device run more smoothly.
- Clear Floor design allows for easy access for tools and equipment while under the vehicle.
- Durable cylinders fitted with anti-burst valves.
- Door protection pads to prevent the possibility of damage while opening the vehicle doors.
- Pre-set hydraulic pressure prevents operator overloading.
- Ram protection curtain.
- Door protection pads to prevent the possibility of damage while opening the vehicle doors.
- Durable and striking powder coat finish.
- 1900mm lifting height.
- Screw type lifting pads with minimum height of 100mm.
- The arm locks engage and disengage automatically.
- Rubber protected overhead height limit switch bar.
- Australian Standards Certification.
- WorkSafe Design Registration.

OVERALL DIMENSION



TECHNICAL DATA

MODEL NO.	EE-C9
Lifting capacity	4000kg
Max lifting height	1900mm
Min height	100mm
Lifting time	55S
Capacity of motor	2.2kW
Rated oil pressure	19MPa
Drive through	2558mm
Overall Height	3900mm
Electricity supply	According To Customer Needs

* Machine shown with optional equipment. Actual product appearance may differ.



One Side Safety Locks Release



Pulley with Derailment Protection



Height Adapter



Round Screw-up Lifting Pad



Door Protection Pads