



## SPECIFICATIONS

Model	Lifting Capacity	Lifting Height	Lifting Time	Overall Length (inc ramps)	Overall Length (without ramps)	Overall Width	Width Between Columns	Minimum Height	Motor
AM4.0WA	4000Kg	1915mm	55 Seconds	5512mm	4600mm	3208mm	2852mm	220mm	2.0 / 3.0 HP

## FEATURES

- 4000kg Capacity
- Electro-air control operation system
- Mechanical self-locking & air-driven safety release
- Cable driven, electric hydraulic power system
- Skid proof diamond platform
- 2 adjustable turntable positions to suit different wheel bases
- Adjustable platform with adjustable safety lock ladders

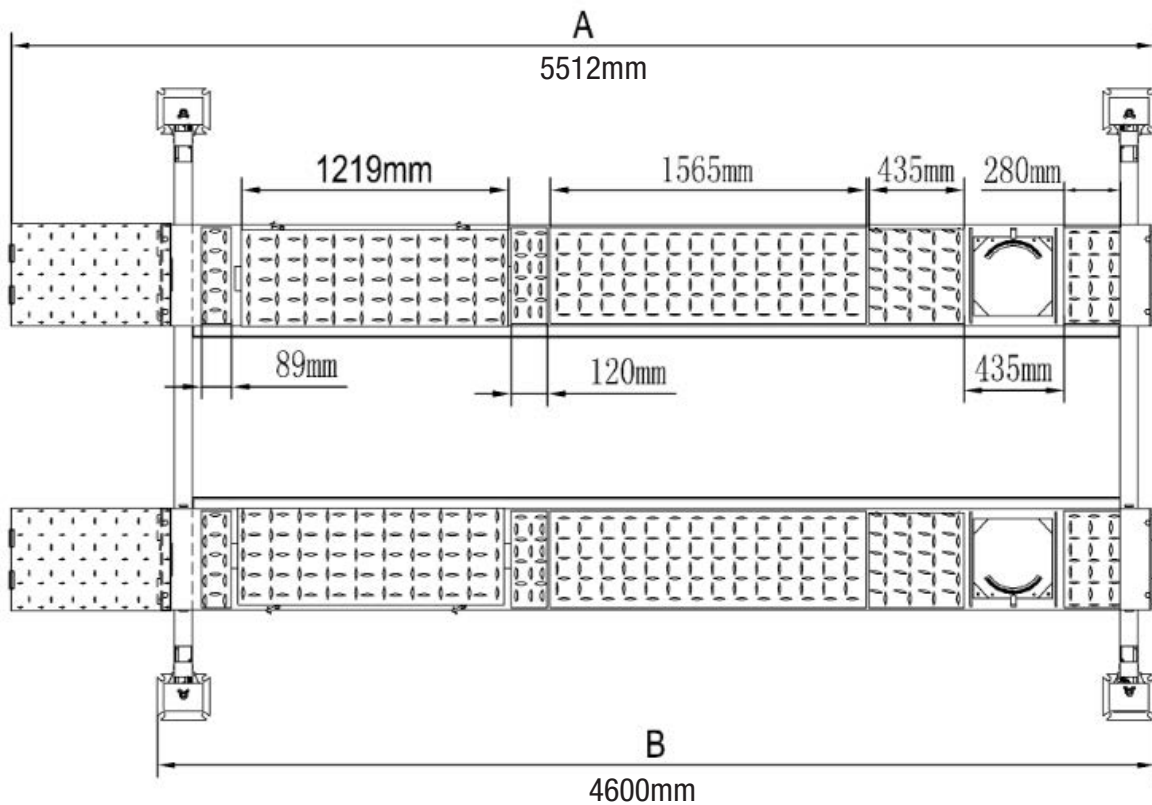
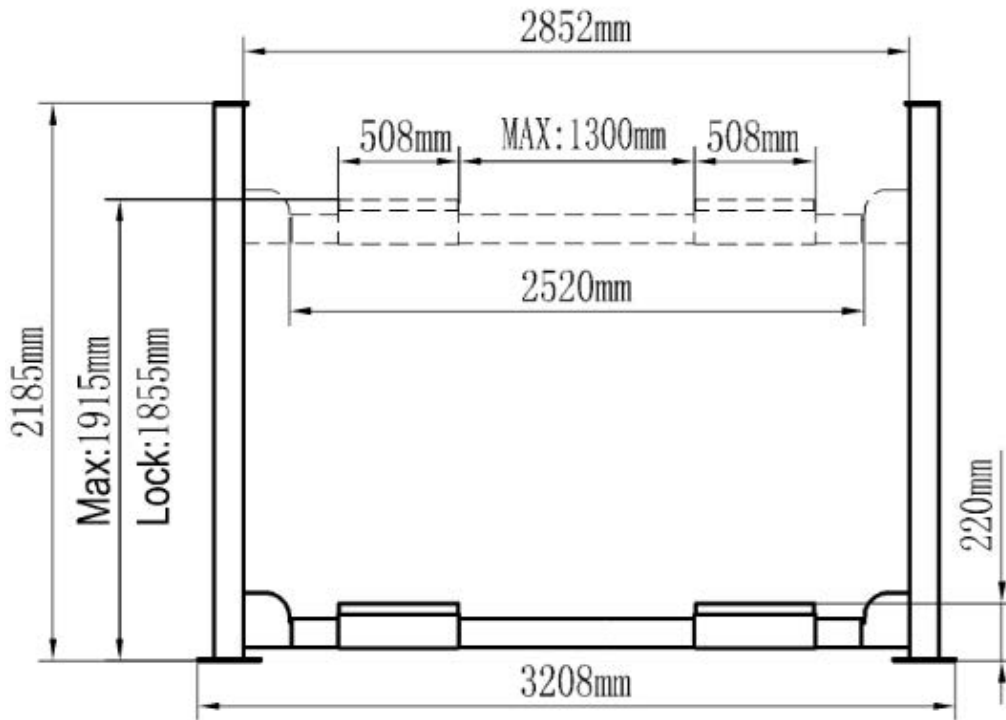
- Dual safety device
- Rolling jack included
- Installation service available subject to location
- 1 year hydraulic, electrical & mechanical warranty
- 5 Year structural warranty
- Australian Standards Certification
- Worksafe Design Registration

### Tufflift Hoists Australia

Head Office 46 Saintly Drive, Truganina, VIC 3029 Phone +61 3 8375 3600  
 Fax +61 3 8353 2525 Email sales@tufflift.com.au Freecall 1800 88 33 50



HOISTS FOR EVERY SPACE



## Tufflift Hoists Australia

Head Office 46 Saintly Drive, Truganina, VIC 3029 Phone +61 3 8375 3600  
 Fax +61 3 8353 2525 Email sales@tufflift.com.au Freecall 1800 88 33 50



HOISTS FOR EVERY SPACE