

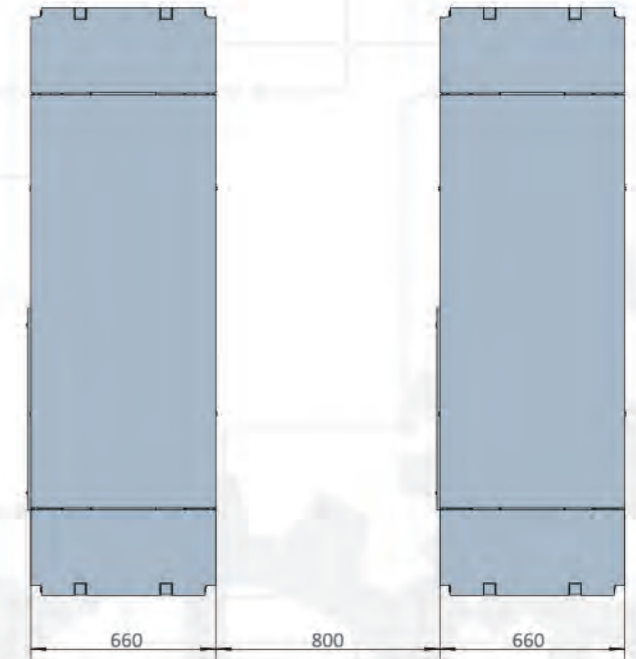
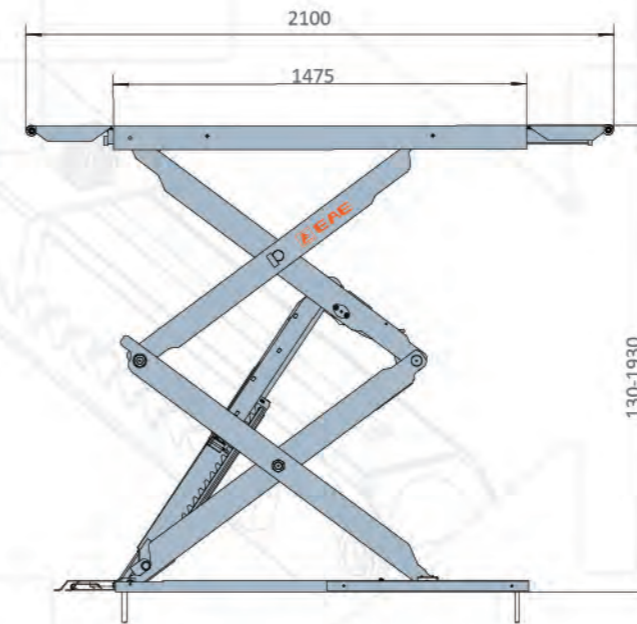
**4000KG**  
Lifting Capacity

**130MM**  
Drive-on Height

**1930MM**  
Max. Lifting Height



**OVERALL DIMENSION**



Optional transition ramps for low chassis

**TECHNICAL DATA**

MODEL NO.	EE-65A-40T
Lifting capacity	4000kg
Max. lifting height	1930mm
Min. height	130mm
Lifting time	85S
Motor	2.2kW
Air supply	6-8bar
Platform width	660mm
Weight	1000kg
Electricity supply	According To Customer Needs

\* Machine shown with optional equipment. Actual product appearance may differ.



In-ground installation.

**EE-65A-40T**

**FULL RISE SCISSOR LIFT**

- 4000kg lifting capacity.
- Above-ground or recessed installation.
- 130mm initial height.
- Four cylinder design.
- Pneumatic released safety locking system.
- Drive-on ramps lock into position as platform extensions.
- Steady raising and lowering, no noise when lowered to ground.
- Durable cylinders with anti-surge valves.
- 24V safe control system.
- Height limit switch.
- Powder coated finish.
- Self-lubricated bushing and bearing.
- Aluminum motor with fan on top to avoid overheating caused by long time working.
- It has been proofed by dynamic test with 115% of rated capacity and static test with 150% capacity.



SCISSOR LIFT