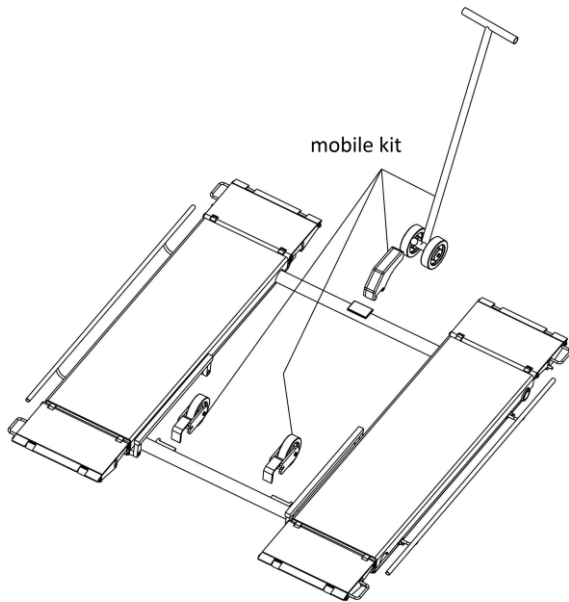


### 5.5 Install the optional mobile kit to move the lift

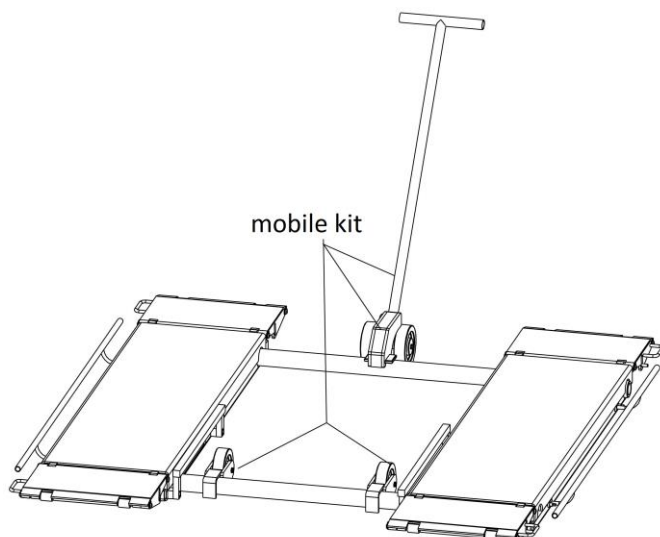


**Always take away all accessories of the optional kit for movable use before loading.  
Never attempt to transport the lift when it is loaded.**

1. Raise the platform about 500mm above the floor and fix the mobile kit as indicated in the below fig.



2. Lower the platform to the lowest position.



3. Move the lift