



SPECIFICATIONS

| Model | Lifting Capacity | Lifting Height | Lifting Time | Overall Length | Air Source (Mpa) | Overall Width | Gross Weight | Minimum Height | Minimum Pad Height |
|-------|------------------|----------------|--------------|----------------|------------------|---------------|--------------|----------------|--------------------|
| J6A | 2800Kg | 490mm | 50 Seconds | 1005-1525mm | 0.4-0.6 | 578mm | 120kg | 195mm | 195mm |

FEATURES

- 2800kg Capacity
- Safety self-locking mechanism
- Can be used with lift or separately

- 12 Months Warranty
- Australian Standards Certification
- Worksafe Design Registration

Tufflift Hoists Australia

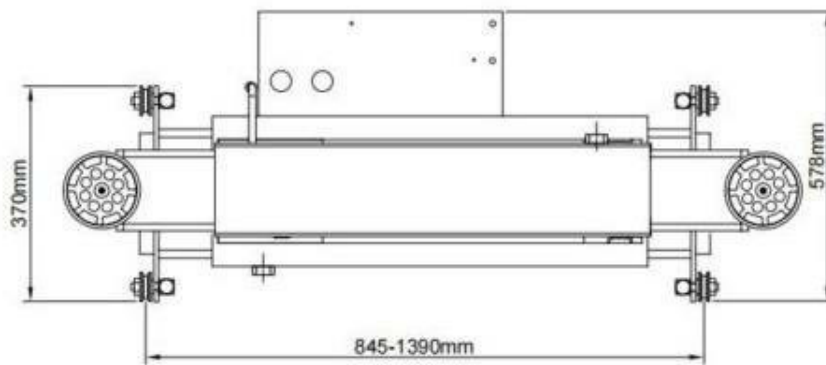
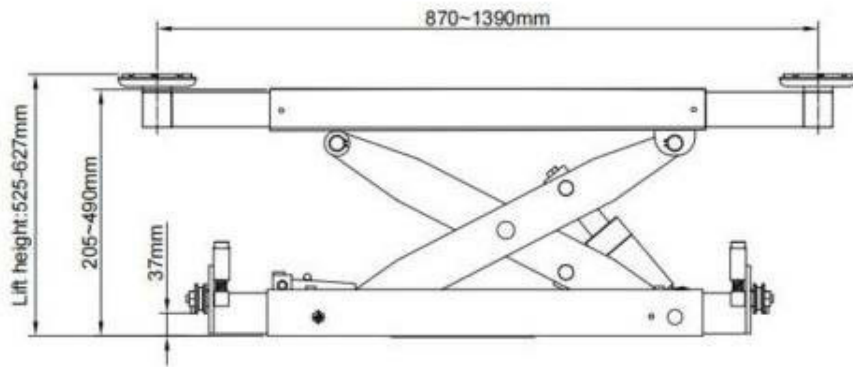
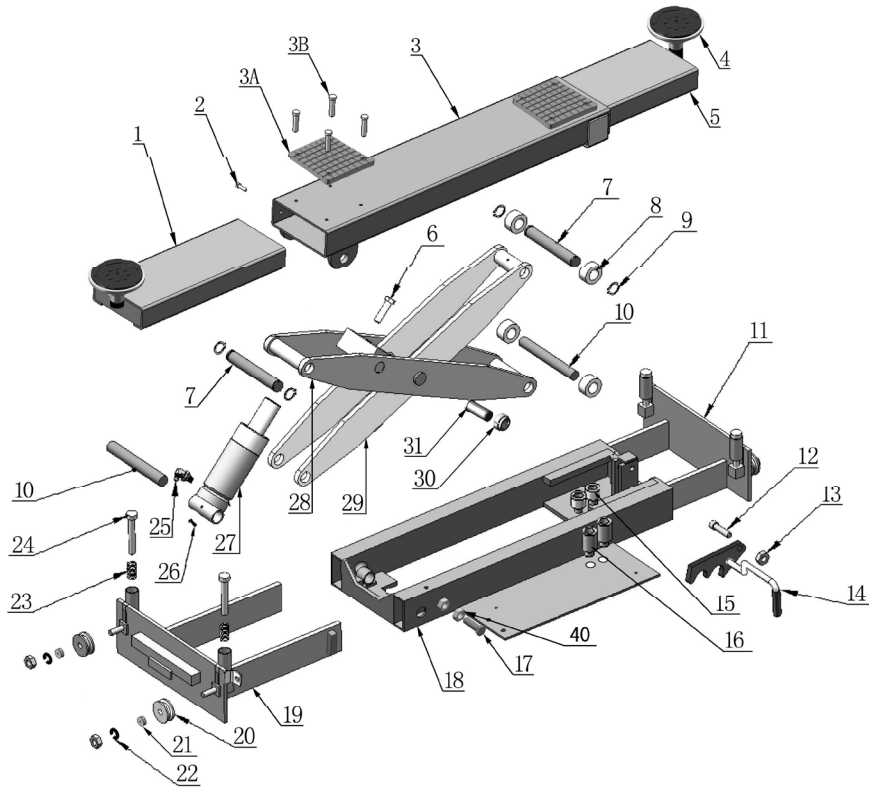
Head Office 46 Saintly Drive, Truganina, VIC 3029 Phone +61 3 8375 3600
 Fax +61 3 8353 2525 Email enquiries@Tufflift.com.au Freecall 1800 Tufflift (88 33 54)



HOISTS FOR EVERY SPACE

J6A - Rolling Jack

J6A



Tufflift Hoists Australia

Head Office 46 Saintly Drive, Truganina, VIC 3029 Phone +61 3 8375 3600
 Fax +61 3 8353 2525 Email enquiries@Tufflift.com.au Freecall 1800 Tufflift (88 33 54)



HOISTS FOR EVERY SPACE