



SPECIFICATIONS

Model	Lifting Capacity	Lifting Height	Lifting Time	Overall Length	Air Source (Mpa)	Overall Width	Gross Weight	Minimum Height	Minimum Pad Height
J6A	2800Kg	490mm	50 Seconds	1005-1525mm	0.4-0.6	578mm	120kg	195mm	195mm

FEATURES

2800kg Capacity
 Safety self-locking mechanism
 Can be used with lift or separately

12 Months Warranty
 Australian Standards Certification
 Worksafe Design Registration

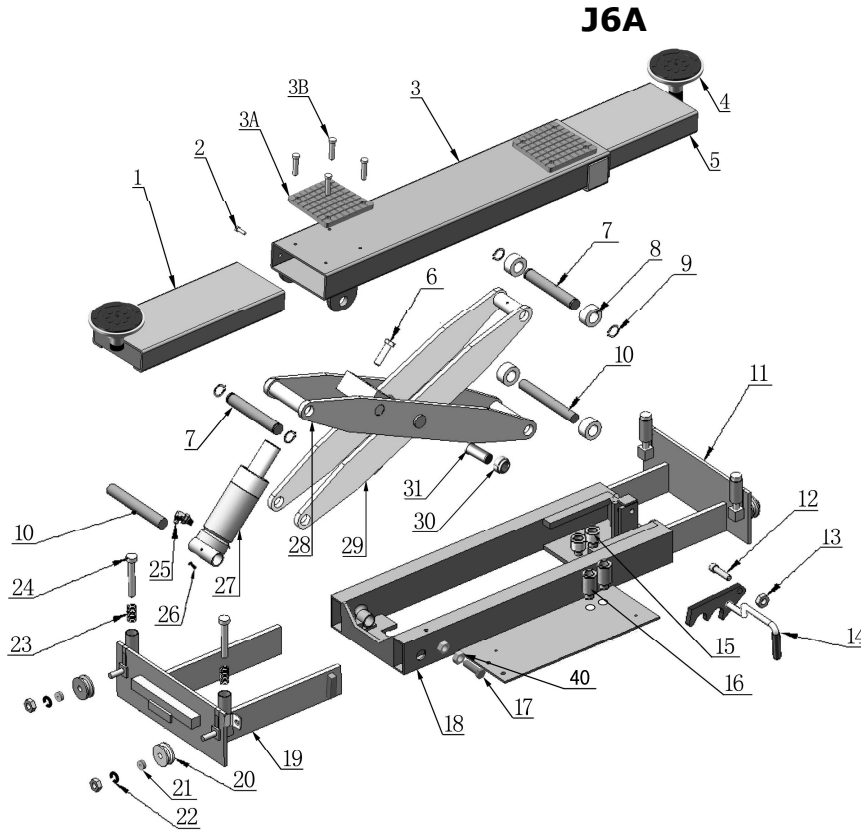
Tufflift Hoists Australia

Head Office 46 Saintly Drive, Truganina, VIC 3029 Phone +61 3 8375 3600
 Fax +61 3 8353 2525 Email enquiries@Tufflift.com.au Freecall 1800 Tufflift (88 33 54)



HOISTS FOR EVERY SPACE

J6A - Rolling Jack



Tufflift Hoists Australia

Head Office 46 Saintly Drive, Truganina, VIC 3029 Phone +61 3 8375 3600

Fax +61 3 8353 2525 Email enquiries@Tufflift.com.au Freecall 1800 Tufflift (88 33 54)



HOISTS FOR EVERY SPACE