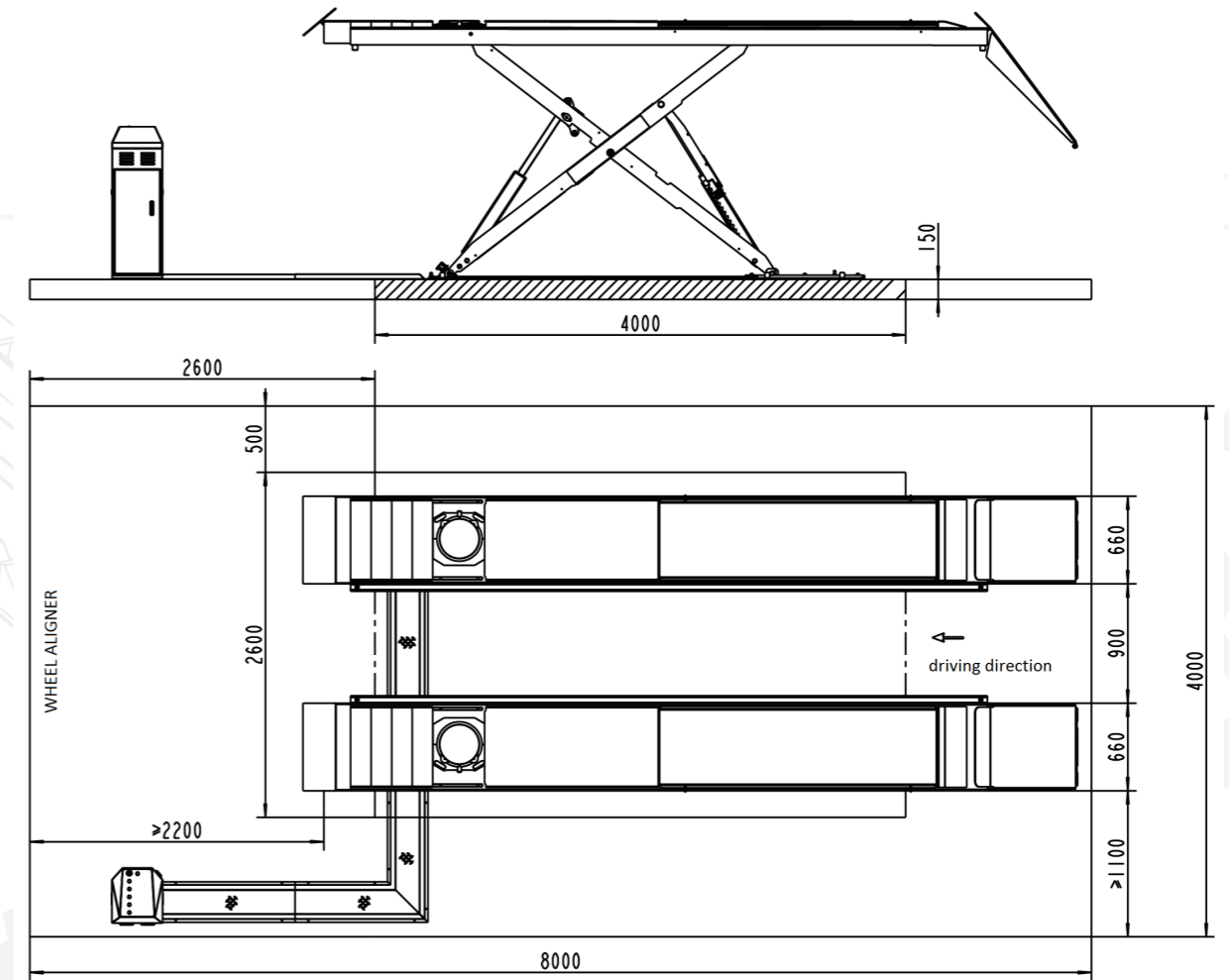


4000KG | **180MM** | **Surface Installation**
 Lifting Capacity | Drive-on Height | No More Concrete Work, Ramps Included



OVERALL DIMENSION



B Platforms with front recesses and rear slip plates



EE-6604

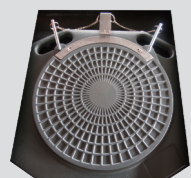
LOW PROFILE SCISSOR LIFT

- 4000kg lifting capacity.
- Above-ground installation.
- Low profile runway demands less space.
- Infrared synchronization protection system.
- The great planeness of runways is perfect for high accuracy wheel aligning.
- Long slip plate and adjustable turntable positions accommodate different sizes of wheelbases.
- Pneumatic safety locking system
- 24V safe control system.
- Self-lubricated bushing and bearing.
- Safety descent alarming buzzer.
- Aluminum motor with fan on top to avoid overheating caused by long time working.

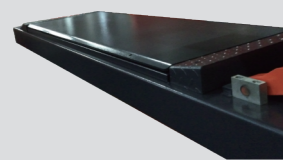
TECHNICAL DATA

| MODEL NO. | EE-6604 |
|---------------------|-----------------------------|
| Lifting capacity | 4000kg |
| Max. lifting height | 1900mm |
| Min. height | 180mm |
| Lifting time | 62S |
| Motor | 3.5kW/3ph, 2.2kW/1ph |
| Air supply | 6-8bar |
| Platform width | 660mm |
| Electricity supply | According To Customer Needs |

* Machine shown with optional equipment. Actual product appearance may differ.



Turntable (Optional)



Rear side slip



Anti-abrasion Slider



Pneumatic Release Mechanical Lock



Drive-on Ramp