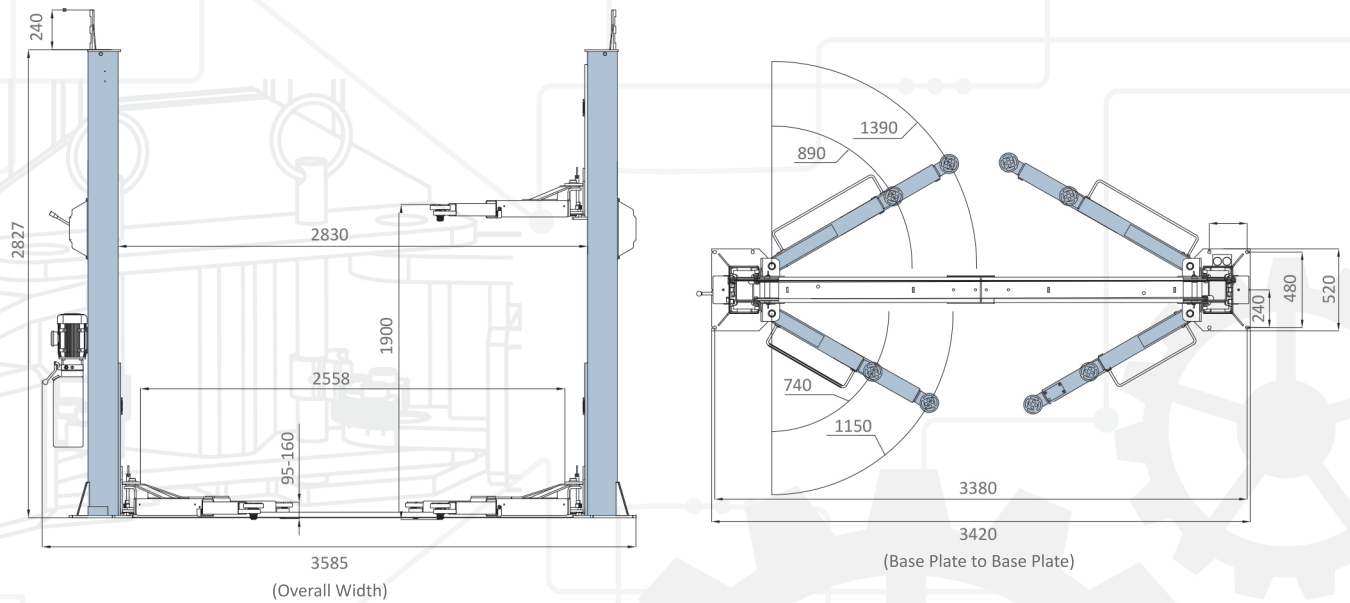


**4000KG/4500KG**  
Lifting Capacity

**One Side Operation**  
More Convenient



**OVERALL DIMENSION**



**TECHNICAL DATA**

MODEL NO.	EE-F9	EE-F10
Lifting capacity	4000kg	4500kg
Max lifting height	1900mm	1900mm
Min height	95mm-160mm	95mm-160mm
Lifting time	65S	65S
Capacity of motor	2.2kW	2.2kW
Rated oil pressure	18MPa	22MPa
Drive through	2830mm	2830mm
Overall Height	2827mm+240mm	2827mm+240mm
Electricity supply	According To Customer Needs	According To Customer Needs

\* Max. Lifting height is measured with adjustable screw pads in highest position.  
\* Machine shown with optional equipment. Actual product appearance may differ.



**EE-F9/F10**

**TWO POST LIFT**

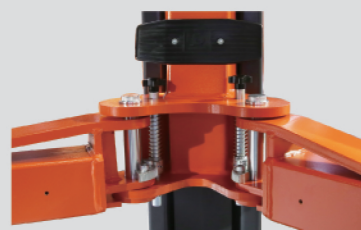
- 4000kg/4500kg lifting capacity.
- Single side release for mechanical safety locking unit.
- Durable cylinders in each column carry with anti-surge valves.
- Standard door protection pads to prevent possible damage to the door opened without caution.
- Pre-fixed hydraulic pressure prevents overloading operation.
- Standard chain protection curtain.



One Side Safety Locks Release



Door Protection Pads



Strong Carriage and Arm Structure