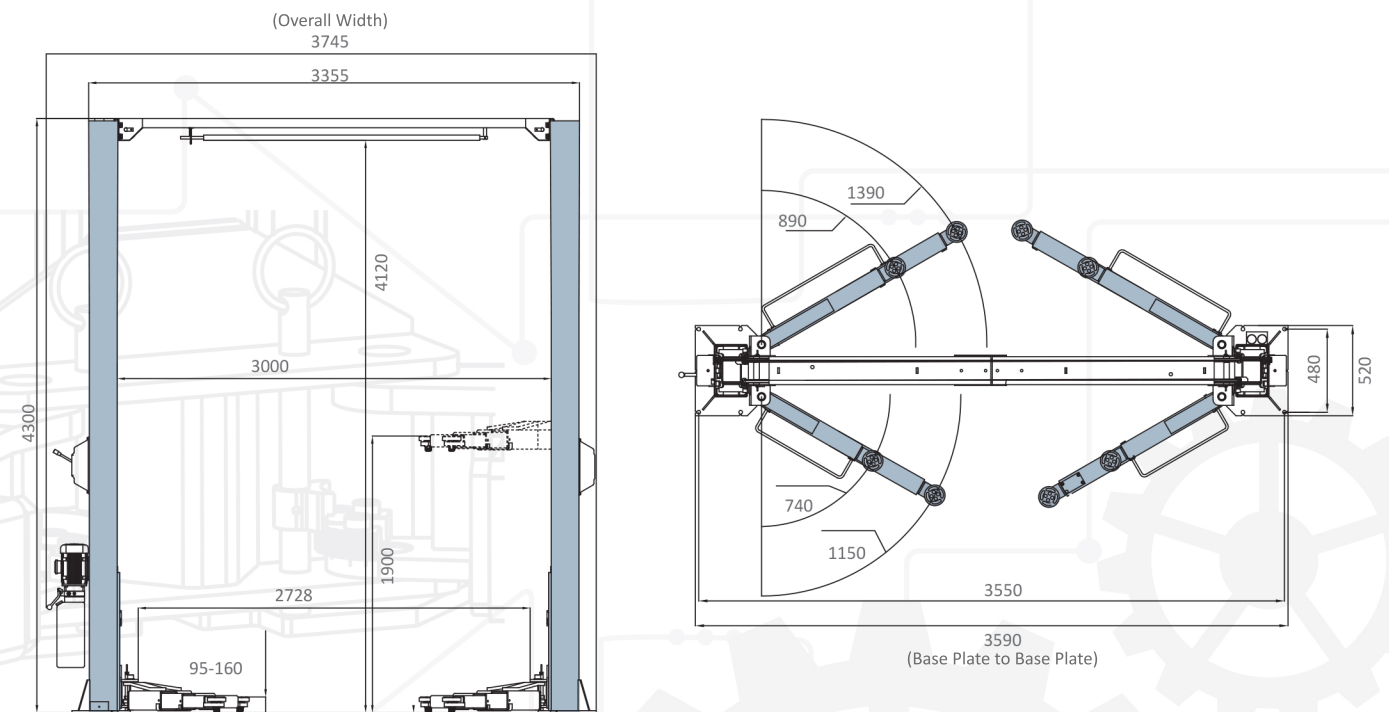


4500KG
Lifting Capacity

One Side Operation
More Convenient



OVERALL DIMENSION



TECHNICAL DATA

MODEL NO.	EE-C10
Lifting capacity	4500kg
Max lifting height	1900mm
Min height	95mm-160mm
Lifting time	45S-60S
Capacity of motor	2.2kW
Overall Height	4300mm
Drive through	3000mm
Electricity supply	According To Customer Needs

* Max. Lifting height is measured with adjustable screw pads in highest position.



EE-C10

TWO POST LIFT

- 4500kg lifting capacity.
- Single side release for mechanical safety locking unit.
- Cylinder straight top device, run more smoothly.
- Durable cylinders in each column carry with anti-surge valves.
- With vehicle roof protection. The power system switches off when vehicle roof touches the rubber protected overhead bar.
- Standard door protection pads to prevent possible damage to the door opened without caution.
- Pre-fixed hydraulic pressure prevents overloading operation.
- Standard chain protection curtain.



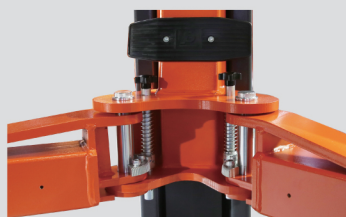
One Side Safety Locks Release



Pulley with Derailment Protection



Door Protection Pads



Strong Carriage and Arm Structure

A

B

C

D

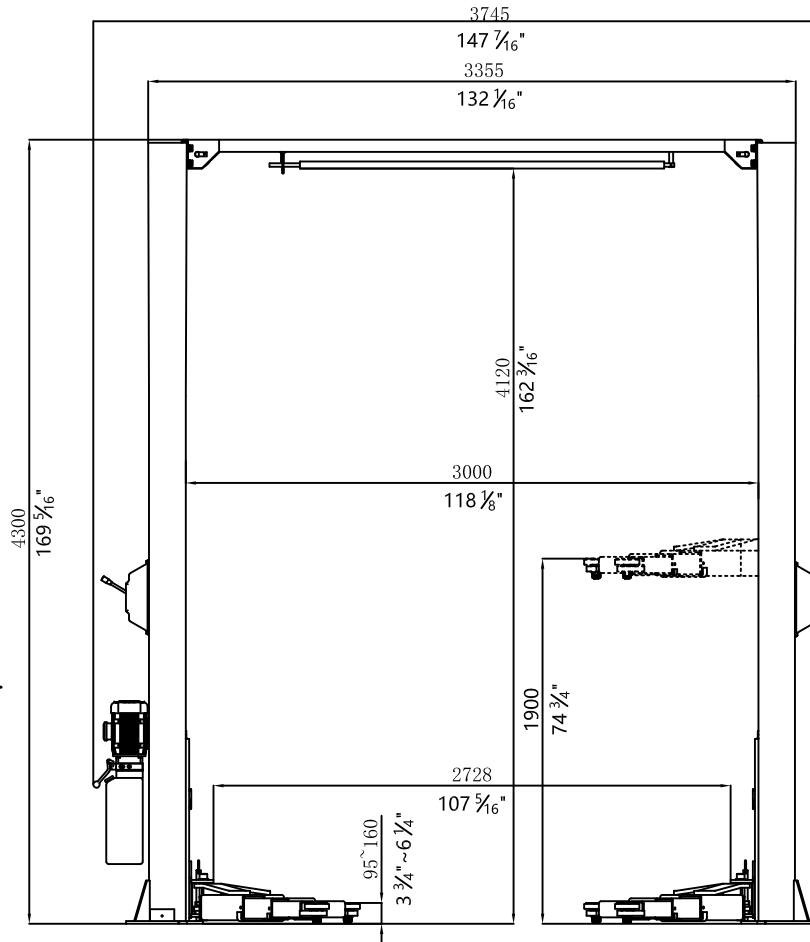
2

3

4

5

6

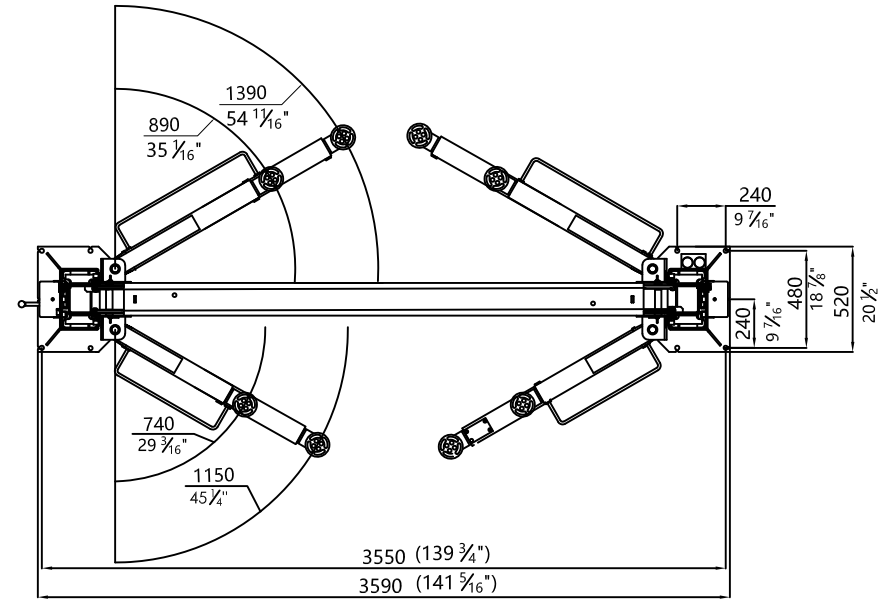


A

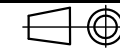
B

C

D



EAE Automotive
Equipment Co.,Ltd



Edition: A

DIMENSIONS

Hotline: 400-9911-109
www.eae-ae.com

C10ZV2-4300

2

3

4

5

6