



SPECIFICATIONS

Model	Lifting Capacity	Lifting Height	Height of Columns	Lifting Time	Mount Length	Mount Width	Runway Width	Runway Height	Width Between Runways
TL3.5PH	3500 Kg	3700mm	4076mm	120 Sec	5778mm	3050mm	483mm	127mm	950 -1140mm

FEATURES

3500kg capacity
 Hydraulic oil included
 120 Second lift time
 Ideal for storing higher vehicles and accessing a second mezzanine level

Installation service available
 Pick up, delivery or
 installation service available

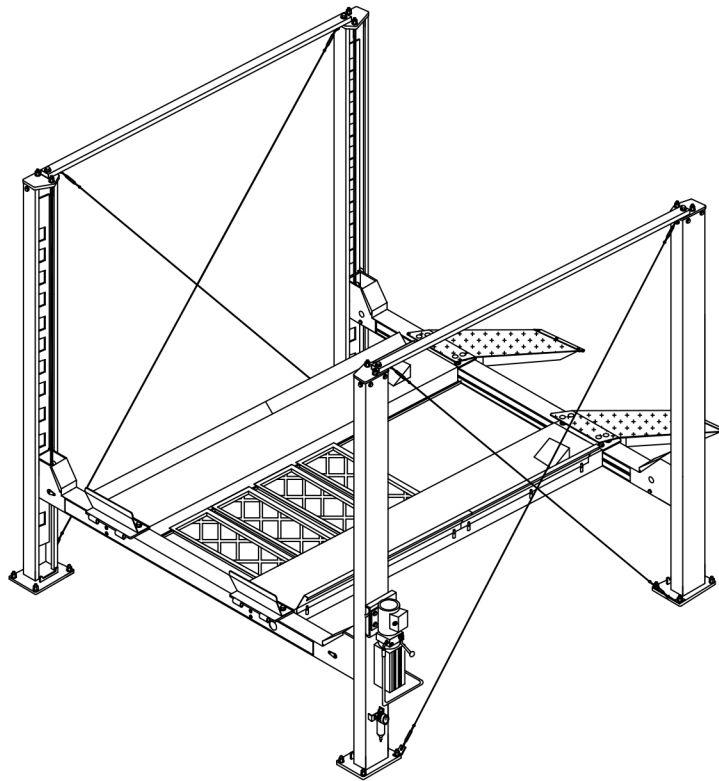
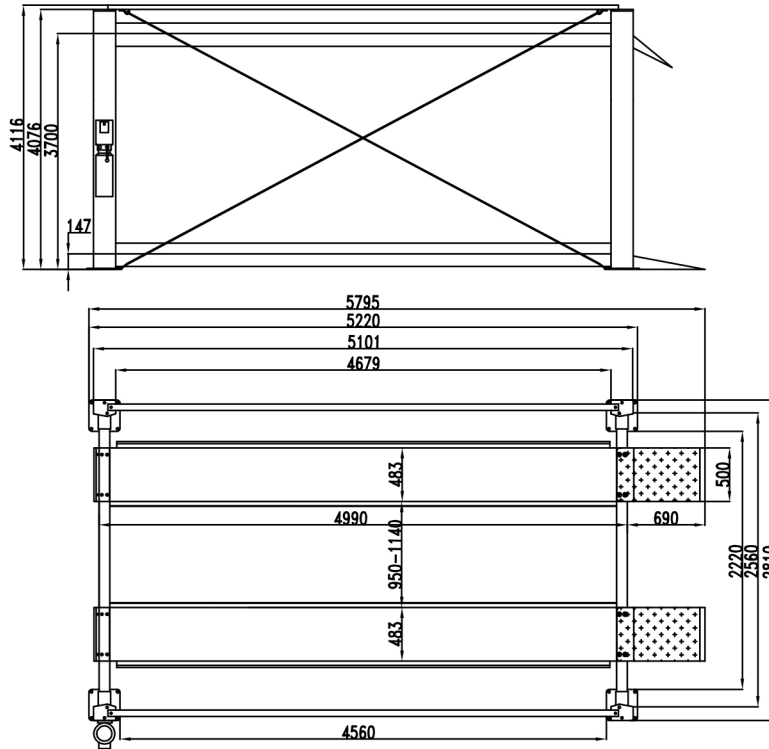
Tufflift Hoists Australia

Head Office 46 Saintly Drive, Truganina, VIC 3029 **Phone** +61 3 8375 3600
Fax +61 3 8353 2525 **Email** sales@tufflift.com.au **Freecall** 1800 88 33 50



HOISTS FOR EVERY SPACE

TL3.5PH (PB-8H)



Tufflift Hoists Australia

Head Office 46 Saintly Drive, Truganina, VIC 3029 Phone +61 3 8375 3600
Fax +61 3 8353 2525 Email sales@tufflift.com.au Freecall 1800 88 33 50



HOISTS FOR EVERY SPACE