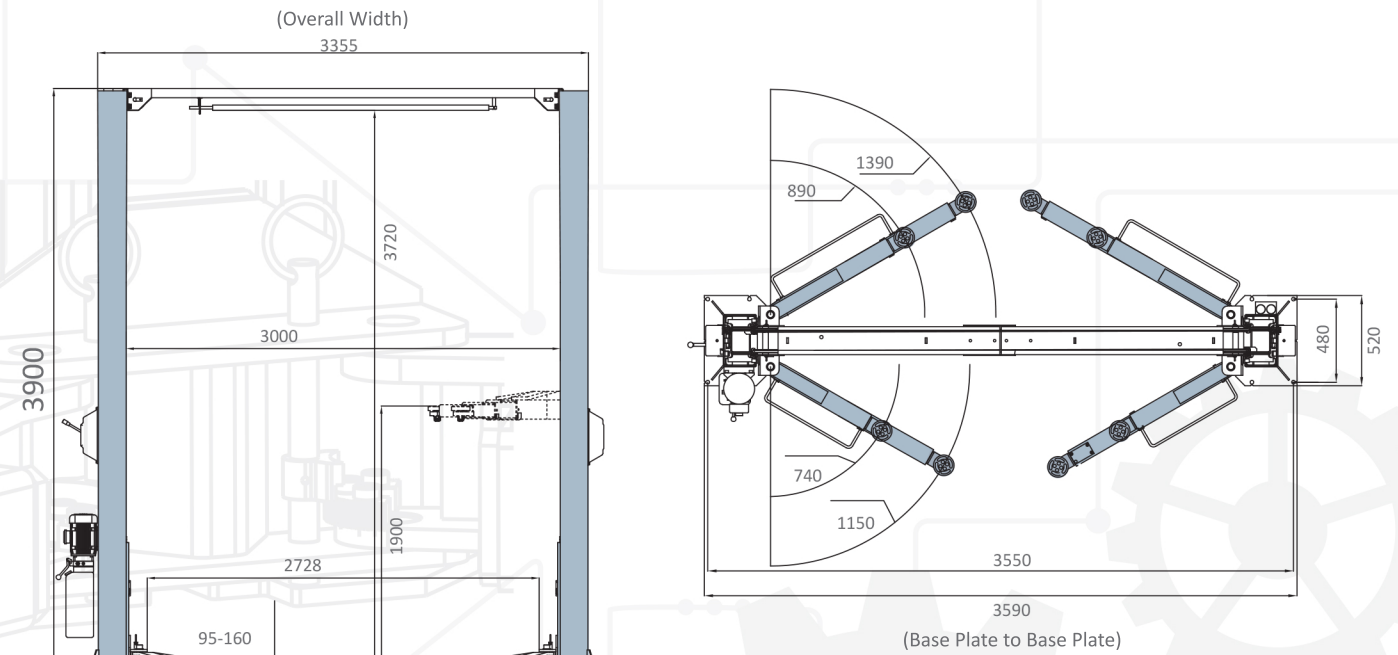


**4500KG**  
Lifting Capacity

**One Side Operation**  
More Convenient



**OVERALL DIMENSION**



**TECHNICAL DATA**

MODEL NO.	EE-C10
Lifting capacity	4500kg
Max lifting height	1900mm
Min height	95mm-160mm
Lifting time	45S-60S
Capacity of motor	2.2kW
Overall Height	3900mm
Drive through clearance (wheels)	2728mm
Width Between Columns (body)	3000mm
Electricity supply	According To Customer Needs

\* Max. Lifting height is measured with adjustable screw pads in highest position



**EE-C10V2**

**TWO POST LIFT**

- 4500kg lifting capacity.
- Single side release for mechanical safety locking unit.
- Cylinder straight top device, run more smoothly.
- Durable cylinders in each column carry with anti-surge valves.
- With vehicle roof protection. The power system switches off when vehicle roof touches the rubber protected overhead bar.
- Standard door protection pads to prevent possible damage to the door opened without caution.
- Pre-fixed hydraulic pressure prevents overloading operation.
- Standard chain protection curtain.



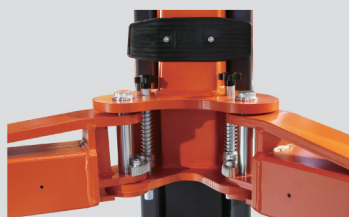
One Side Safety Locks Release



Pulley with Derailment Protection



Door Protection Pads



Strong Carriage and Arm Structure