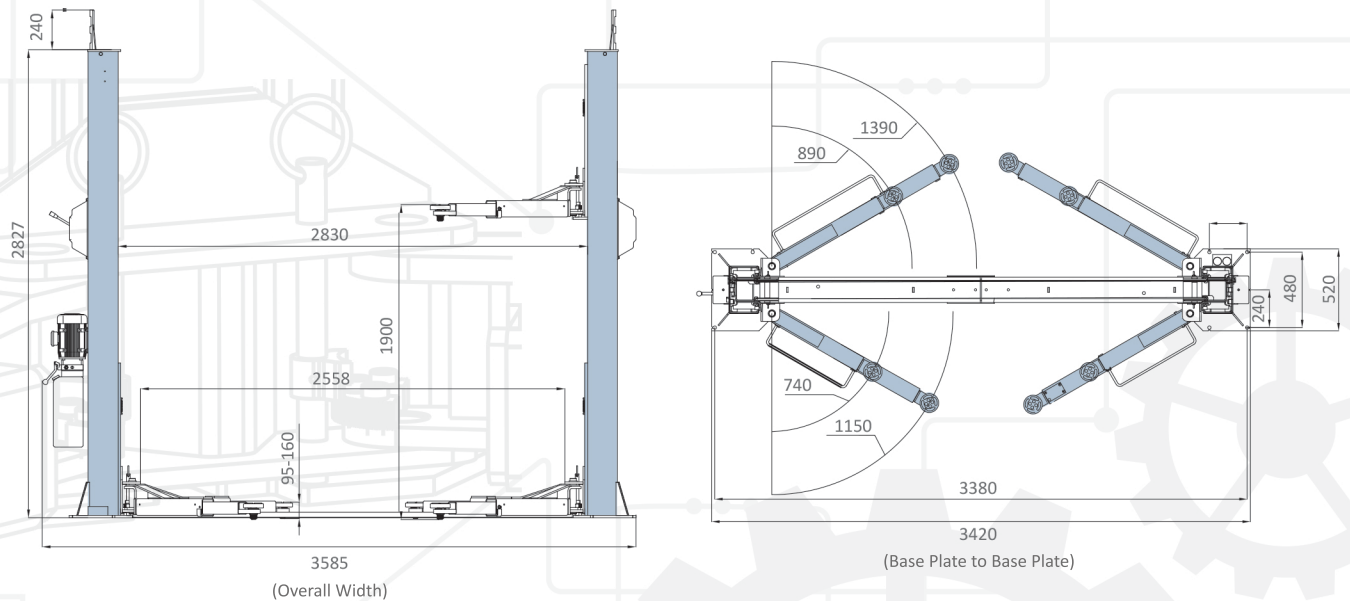


**4000KG/4500KG**  
Lifting Capacity

**One Side Operation**  
More Convenient



**OVERALL DIMENSION**



**TECHNICAL DATA**

| MODEL NO.                        | EE-F9                       | EE-F10                      |
|----------------------------------|-----------------------------|-----------------------------|
| Lifting capacity                 | 4000kg                      | 4500kg                      |
| Max lifting height               | 1900mm                      | 1900mm                      |
| Min height                       | 95mm-160mm                  | 95mm-160mm                  |
| Lifting time                     | 65S                         | 65S                         |
| Capacity of motor                | 2.2kW                       | 2.2kW                       |
| Rated oil pressure               | 18MPa                       | 22MPa                       |
| Overall height                   | 2827mm+240mm                | 2827mm+240mm                |
| Drive through clearance (wheels) | 2558mm                      | 2558mm                      |
| Width Between Columns (body)     | 2830mm                      | 2830mm                      |
| Electricity supply               | According To Customer Needs | According To Customer Needs |

\* Max. Lifting height is measured with adjustable screw pads in highest position  
\* Machine shown with optional equipment. Actual product appearance may differ



**EE-F9/F10**

**TWO POST LIFT**

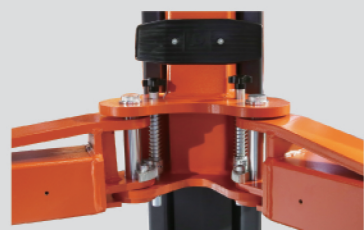
- 4000kg/4500kg lifting capacity.
- Single side release for mechanical safety locking unit.
- Durable cylinders in each column carry with anti-surge valves.
- Standard door protection pads to prevent possible damage to the door opened without caution.
- Pre-fixed hydraulic pressure prevents overloading operation.
- Standard chain protection curtain.



One Side Safety Locks Release



Door Protection Pads



Strong Carriage and Arm Structure