

# EE-HDM84 HEAVY DUTY MOBILE COLUMN VEHICLE LIFTS



- Maximum 8000kg capacity per column.
- Set up multiple combinations (2, 4, 6 or 8 columns and up to 16 columns set).
- Communicate wirelessly by WLAN, no cables to maintain.
- Double safety guaranteed by mechanical and hydraulic locking systems.
- Synchronization automatically achieves by using microchip technology in the control system.
- Touch screen control, Real-time lifting height.
- Latching emergency switch on every column.
- ID-Key to prevent unauthorized operation.
- Safety buzz sound 20 cm from ground when lowering.
- 2 batteries in each column with 110V-220V charging system.
- 24V safe control system.
- Adjustable wheel pick-up fork accommodates most of wheels.
- Movable columns help you work efficiently and comfortably.



# EE-HDM84 HEAVY DUTY MOBILE COLUMN VEHICLE LIFTS



MODEL NO.	EE-HDM84
Lifting capacity	8Tx4
Locking release	Electric
Max. lifting height	1800mm
Min. height	159mm
Full-rise time under rated load	100S
Rated oil pressure	15Mpa/1885psi
Oil reservoir	18Lx4
Voltage control	DC24V
Motor running voltage	DC24Vx4
Motor power	2.2kWx4
Approximate Tire Size	500-1200mm

**EAE Automotive Equipment Company Limited**

Manufacturing Facility: 1089 North Yunlian Rd.wujang Edz, Suzhou, China | Web: [www.eae-ae.com](http://www.eae-ae.com)



Toll Free Call: 400 9911 109 | E-mail: [sales@eae-ae.com](mailto:sales@eae-ae.com)



WIRELESS



OVERLOAD PROTECTION



TOUCH SCREEN



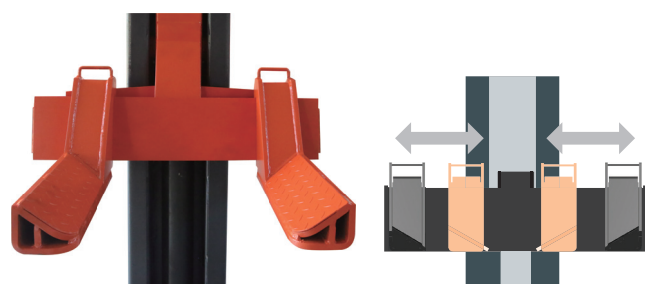
DOUBLE SAFETY



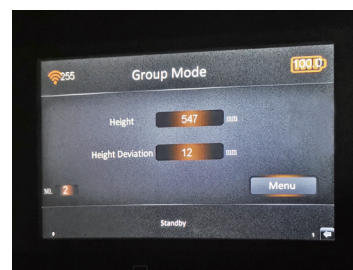
SYNCHRONISATION SYSTEM

# EE-HDM84 CE

HEAVY DUTY MOBILE COLUMN VEHICLE LIFTS



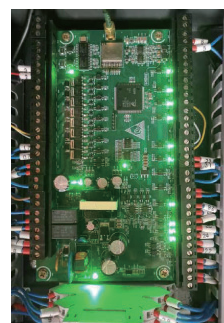
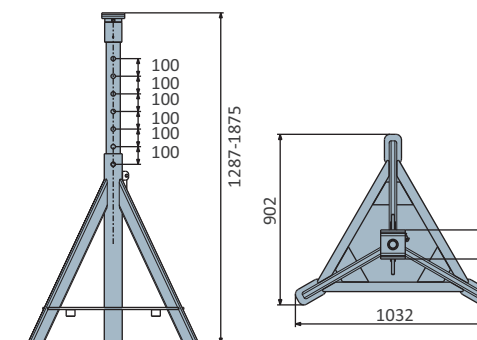
Adjustable wheel supports accommodate wheel sizes from 500mm to 1200mm



Touch screen control



Support frame(Optional)



High accurately synchronization system



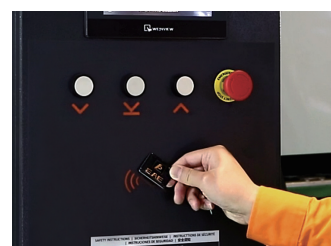
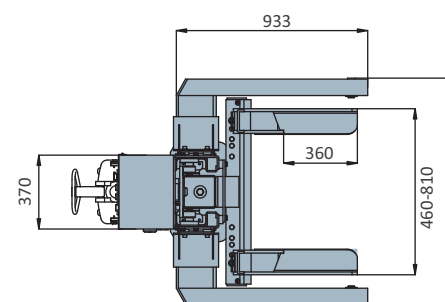
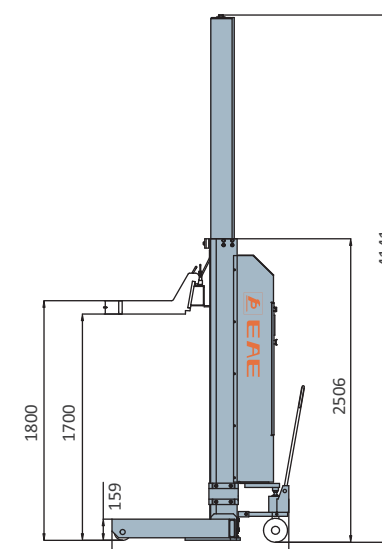
Wireless communication



110V-220V charging system



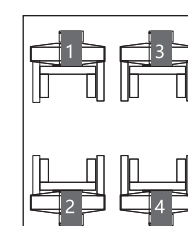
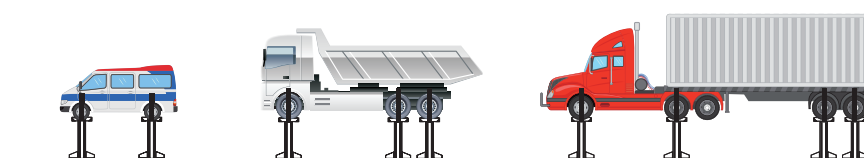
EE-HDM86



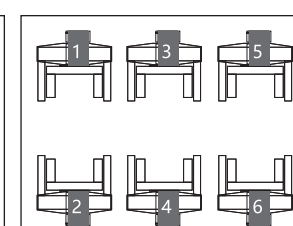
ID-Key to prevent unauthorized operation



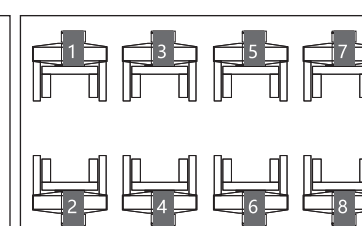
Mobile columns help you work efficiently and comfortably



HDM84/32T



HDM86/48T



HDM88/64T