

TL3.6PH-S/H

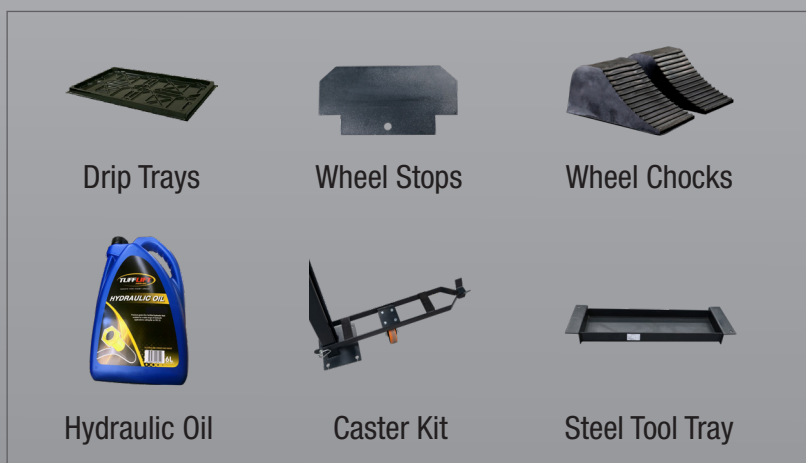
3.6 Ton 4 Post Parking Hoist - Standard OR Extra High



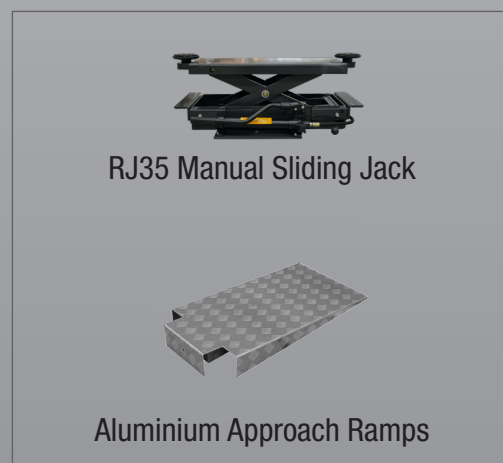
- » 3.6 Ton lifting capacity
- » Double your parking space
- » Diamond plated platforms
- » Single point lock release
- » Extra height for storing taller vehicles
- » Mechanically locks each (170mm) interval
- » Anti-surge valve
- » Slack / loose cable safety locks
- » Durable Hammertone powder coat finish
- » Certified to Australian Standards and design registered with Worksafe
- » 1 Year parts & labour warranty

	Minimum Concrete Requirement	Recommended Ceiling Height	Clearance Under Platforms	Power Requirements	Freight Dimensions
TL3.6PH-S	100mm	3.4m	1735mm	240v: 2.2kw 14.5 amps	428 x 57 x 76cm 760kg
TL3.6PH-H	100mm	3.7m	2550mm	240v: 2.2kw 14.5 amps	428 x 57 x 76cm 775kg

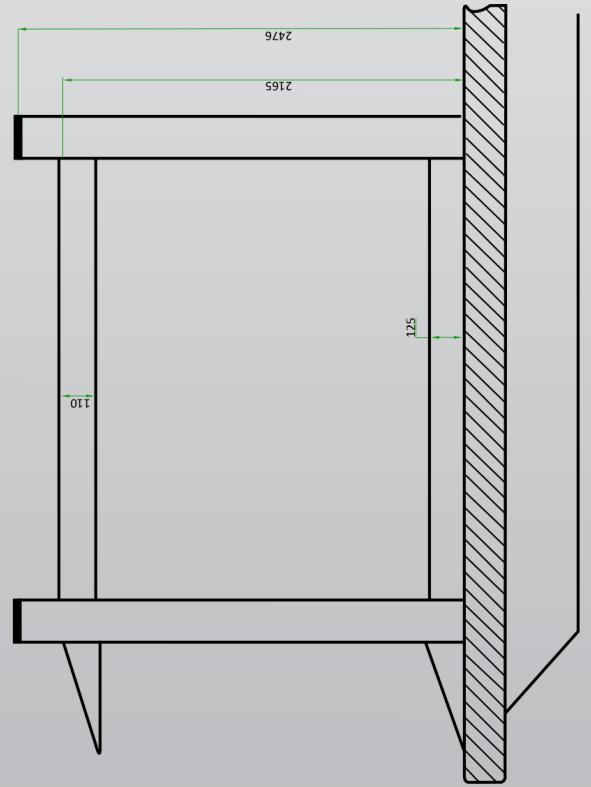
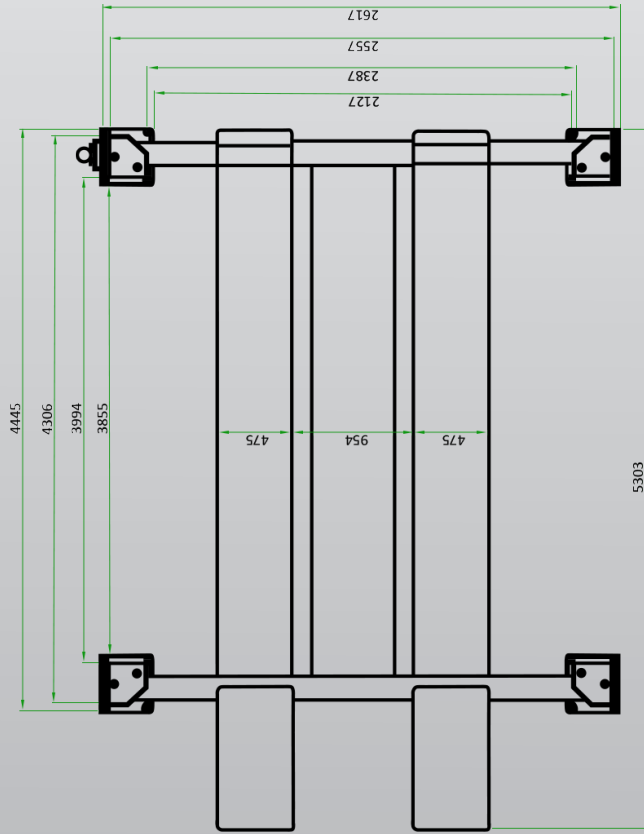
INCLUSIONS



OPTIONS



TL3.6PH-H



TL3.6PH-S

