

# TLD4.0BP

## 4.0 Ton 2 Post Base Plate Hoist - Twin Lock Release



- » 4.0 Ton lifting capacity
- » Lifting height of 1.85m plus 4WD adapters
- » Base plate design
- » Durable charcoal Hammertone powder coat finish, with red arms
- » Twin lock release
- » Door protection pads
- » Combination screw pads
- » Certified to Australian Standards and design registered with Worksafe
- » Optional EV charging station
- » 1 Year parts & labour warranty

### INCLUSIONS



Hydraulic Oil

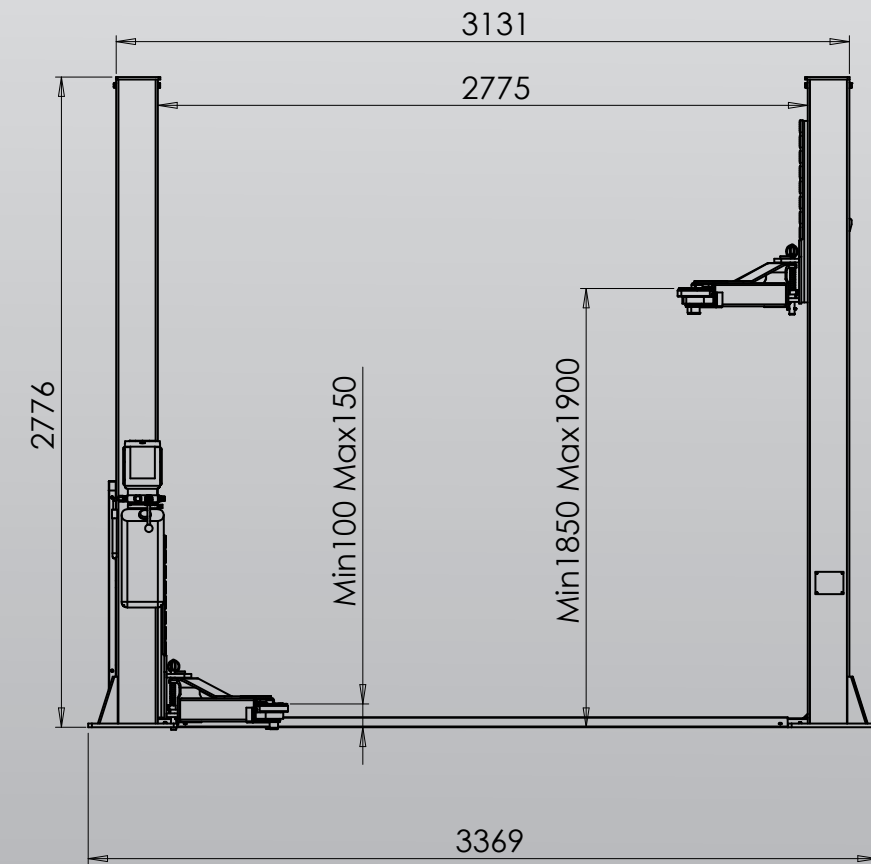


Drop In  
Screw Pads



4WD Adapters

# TLD4.0BP



<b>Minimum Concrete Requirement</b>
100mm
<b>Recommended Ceiling Height</b>
3.25m
<b>Power Requirements</b>
<i>240v</i>
2.2kw 14.5 amps
<i>3 phase</i>
2.2kw 7 amps
No neutral required
<b>Freight Dimensions</b>
283 x 54 x 103cm
585kg

