

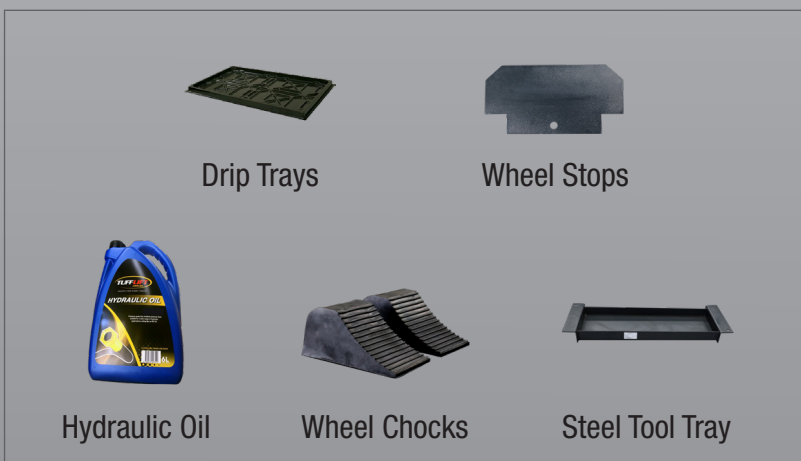
# TL3.6PH-H (2500)

3.6 Ton 4 Post Parking Hoist - Extra High  
2375mm Clearance Under Platform

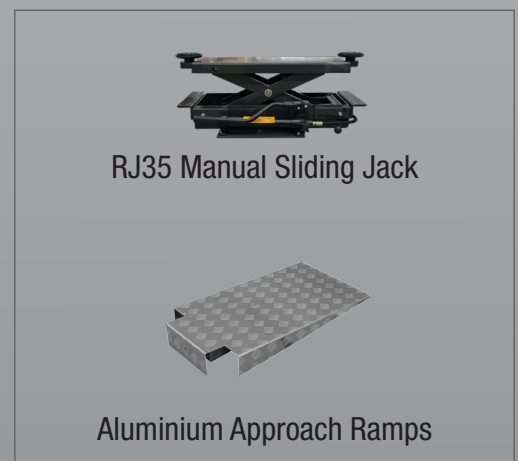


- » 3.6 Ton lifting capacity
- » Double your parking space
- » Diamond plated platforms
- » Single point lock release
- » Extra height for storing taller vehicles
- » Mechanically locks each (170mm) interval
- » 2375mm Clearance Under Platform
- » Anti-surge valve
- » Slack / loose cable safety locks
- » Needs to be bolted down (not mobile)
- » Durable charcoal Hammertone powder coat finish
- » 5 Year structural, 1 year electrical, parts & labour warranty
- » Certified to Australian Standards and design registered with Worksafe

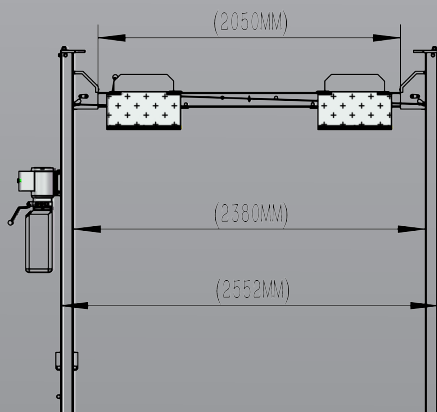
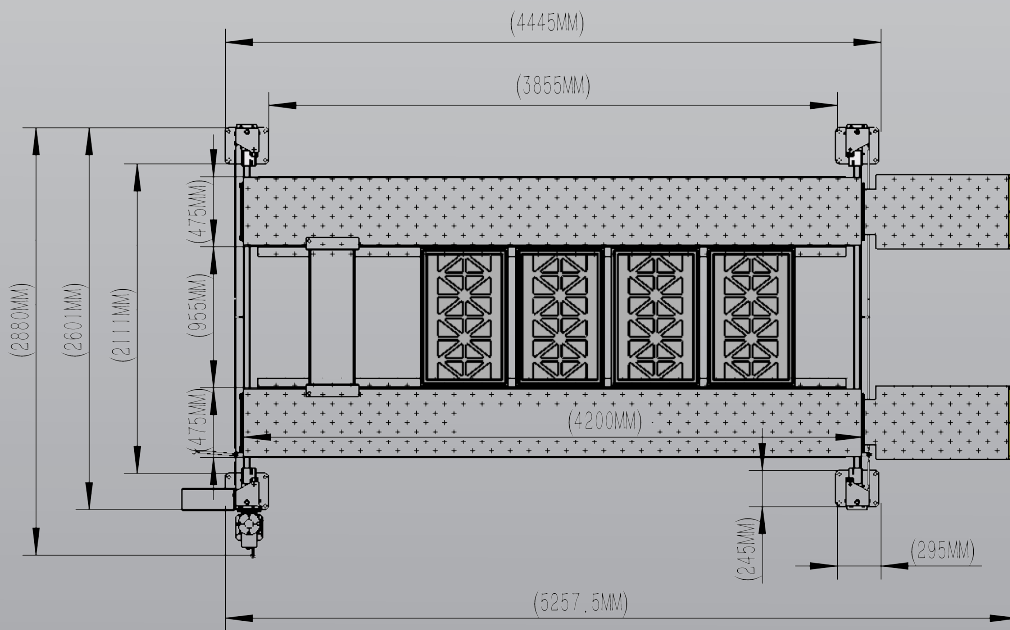
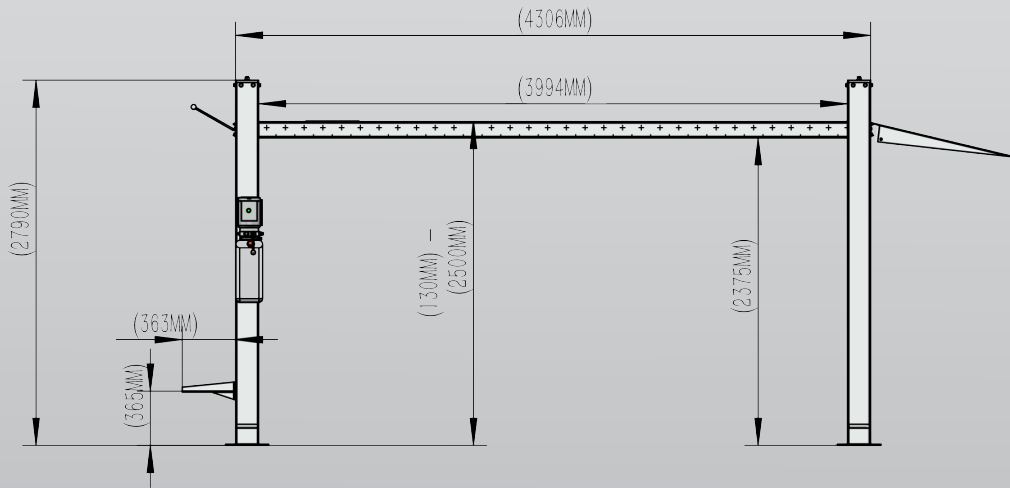
## INCLUSIONS



## OPTIONS



# TL3.6PH-H (2500)



### Minimum Concrete Requirement

100mm

### Recommended Ceiling Height

4.2m

### Power Requirements

240v

2.2kw 14.5 amps

3 phase

2.2kw 7 amps

No neutral required

### Freight Dimensions

428 x 57 x 76cm

775kg