

EE-C9

4.0 Ton 2 Post Clear Floor Hoist



» 4.0 Ton lifting capacity

» Lifting height of 1.85m plus 4WD adapters

» Clear floor design

» Durable charcoal Hammertone powder coat finish, with orange arms

» Single lock release

» Door protection pads

» Combination screw pads plus 4WD adapters

» 5 Years Structural, 1 Years electrical, parts & labour warranty

» Certified to Australian Standards and design registered with Worksafe

» Optional EV charging station

INCLUSIONS



Hydraulic Oil



Screw Pad /
4WD Adapter

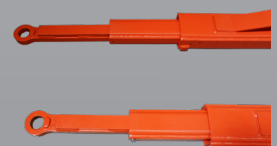
OPTIONS



EV Charging Station

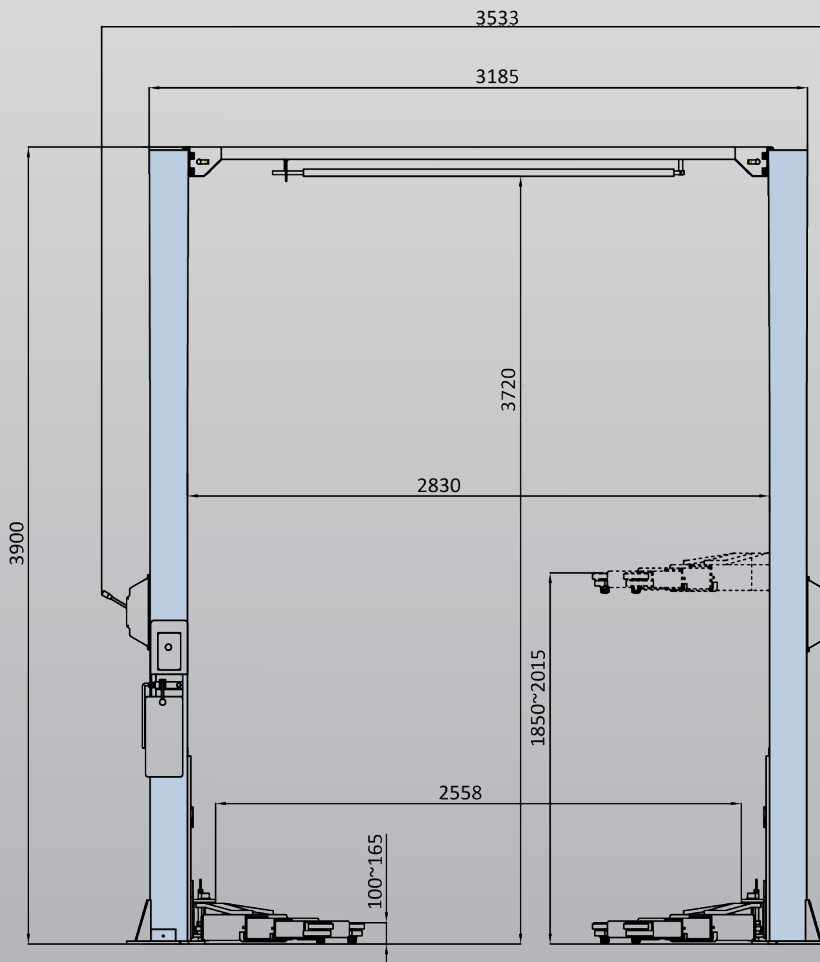


Tyre Holder Adapter



EAE Low Profile Arm

EE-C9



Minimum Concrete Requirement

115mm

Recommended Ceiling Height

4.2m

Power Requirements

240v

2.2kw 16 amps

3 phase

3.5kw 9 amps

Fast motor

Neutral required

Freight Dimensions

391 x 57 x 110cm

686kg

