

# EE-C9

## 4.0 Ton 2 Post Clear Floor Hoist



» 4.0 Ton lifting capacity

» Lifting height of 1.85m plus 4WD adapters

» Clear floor design

» Durable charcoal Hammertone powder coat finish, with orange arms

» Single lock release

» Door protection pads

» Combination screw pads plus 4WD adapters

» Certified to Australian Standards and design registered with Worksafe

» Optional EV charging station

» 1 Year parts & labour warranty

### INCLUSIONS



Hydraulic Oil



Screw Pad /  
4WD Adapter

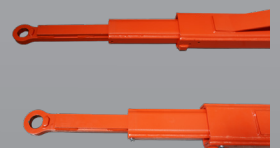
### OPTIONS



EV Charging Station

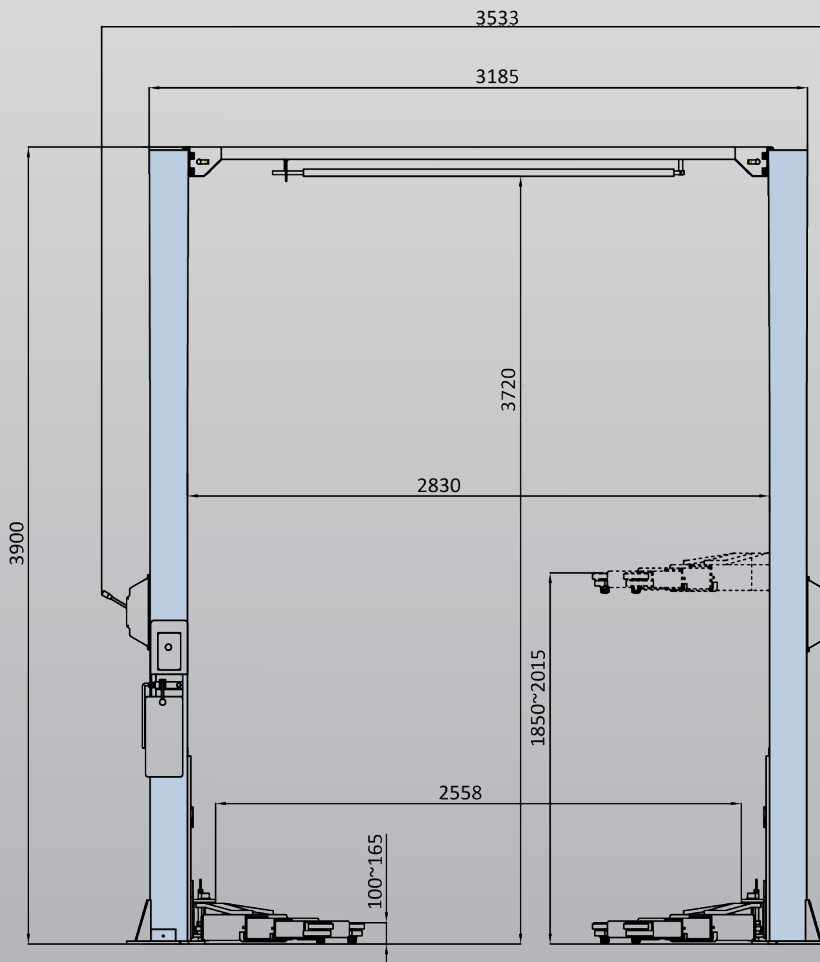


Tyre Holder Adapter



EAE Low Profile Arm

# EE-C9



**Minimum Concrete Requirement**

115mm

**Recommended Ceiling Height**

4.2m

**Power Requirements**

**240v**

2.2kw 16 amps

**3 phase**

3.5kw 9 amps

Fast motor

Neutral required

**Freight Dimensions**

391 x 57 x 110cm

686kg

