

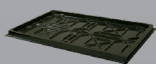
# TL3.6PH-S

## 3.6 Ton 4 Post Parking Hoist - Standard Height



- » 3.6 Ton lifting capacity
- » Double your parking space
- » Diamond plated platforms
- » Single point lock release
- » Mechanically locks each (170mm) interval
- » Anti-surge valve
- » Slack / loose cable safety locks
- » Durable charcoal Hammertone powder coat finish
- » 5 Year structural, 1 year electrical, parts & labour warranty
- » Certified to Australian Standards and design registered with Worksafe

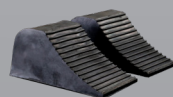
### INCLUSIONS



Drip Trays



Wheel Stops



Wheel Chocks



Hydraulic Oil



Caster Kit

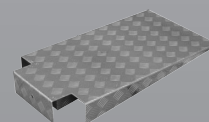


Steel Tool Tray

### OPTIONS

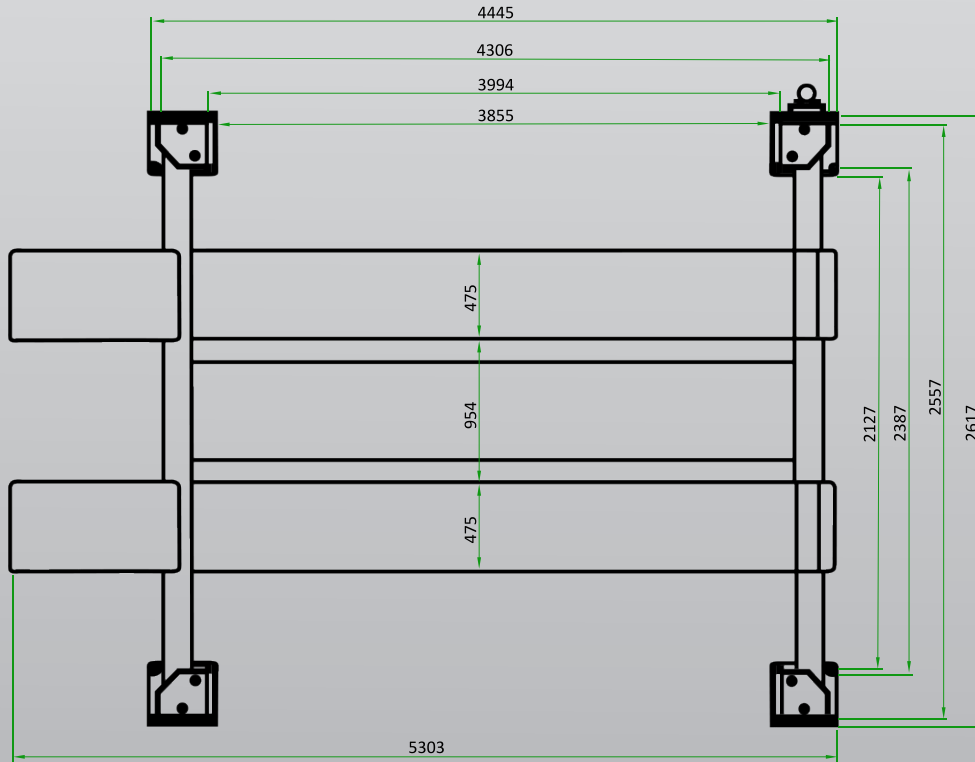


RJ35 Manual Sliding Jack



Aluminium Approach Ramps

# TL3.6PH-S



**Minimum Concrete Requirement**

100mm

**Recommended Ceiling Height**

3.4m

**Power Requirements**

240v

2.2kw 14.5 amps

**Freight Dimensions**

428 x 57 x 76cm

760kg

