

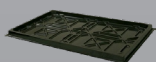
# TL4.0PH

## 4.0 Ton 4 Post Parking Hoist



- » 4.0 Ton lifting capacity
- » Double your parking space
- » Diamond plated platforms
- » Mechanically locks each (170mm) interval
- » Single point lock release
- » Durable charcoal Hammertone powder coat finish
- » 5 Year structural, 1 Year electrical, parts & labour warranty
- » Certified to Australian Standards and design registered with Worksafe

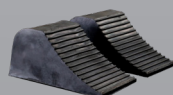
### INCLUSIONS



Drip Trays



Wheel Stops



Wheel Chocks



Hydraulic Oil



Caster Kit

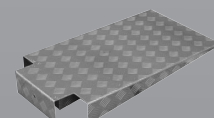


Steel Tool Tray

### OPTIONS

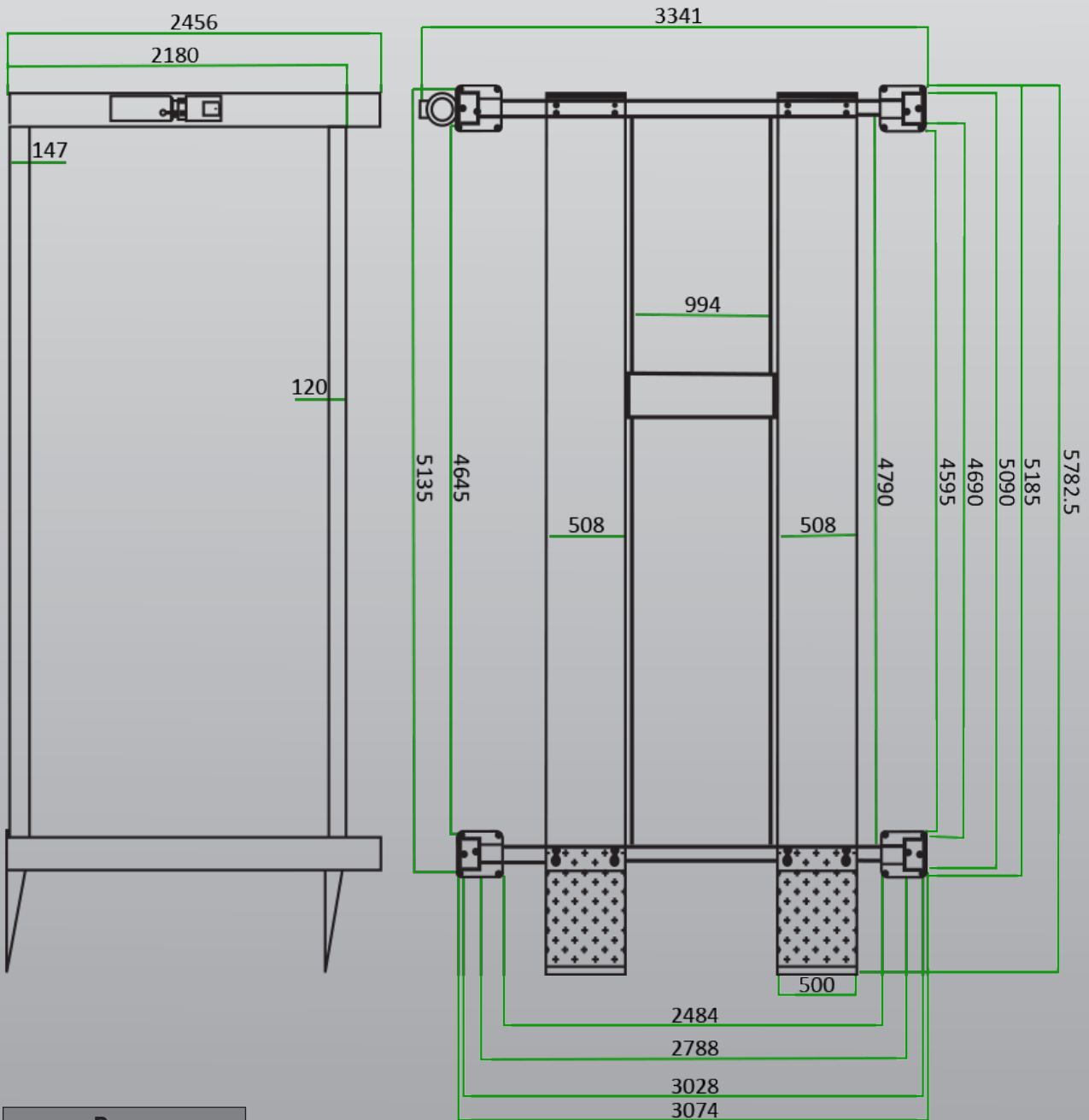


RJ45-AIR Air Pump Rolling Jack



Aluminium Approach Ramps

# TL4.0PH



Power Requirements
240v
2.2kw 14.5 amps
3 phase
2.2kw 7 amps
No neutral required

Minimum Concrete Requirement
150mm
Recommended Ceiling Height
3.7m

Freight Dimensions
516 x 56 x 74cm
1085kg