

TLD4.0BP

4.0 Ton 2 Post Base Plate Hoist - Twin Lock Release



» 4.0 Ton lifting capacity

» Lifting height of 1.85m plus 4WD adapters

» Base plate design

» Durable charcoal Hammertone powder coat finish, with red arms

» Twin lock release

» Door protection pads

» Combination screw pads

» 5 Year structural, 1 year electrical, parts & labour warranty

» Optional EV charging station

» Certified to Australian Standards and design registered with Worksafe

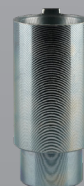
INCLUSIONS



Hydraulic Oil

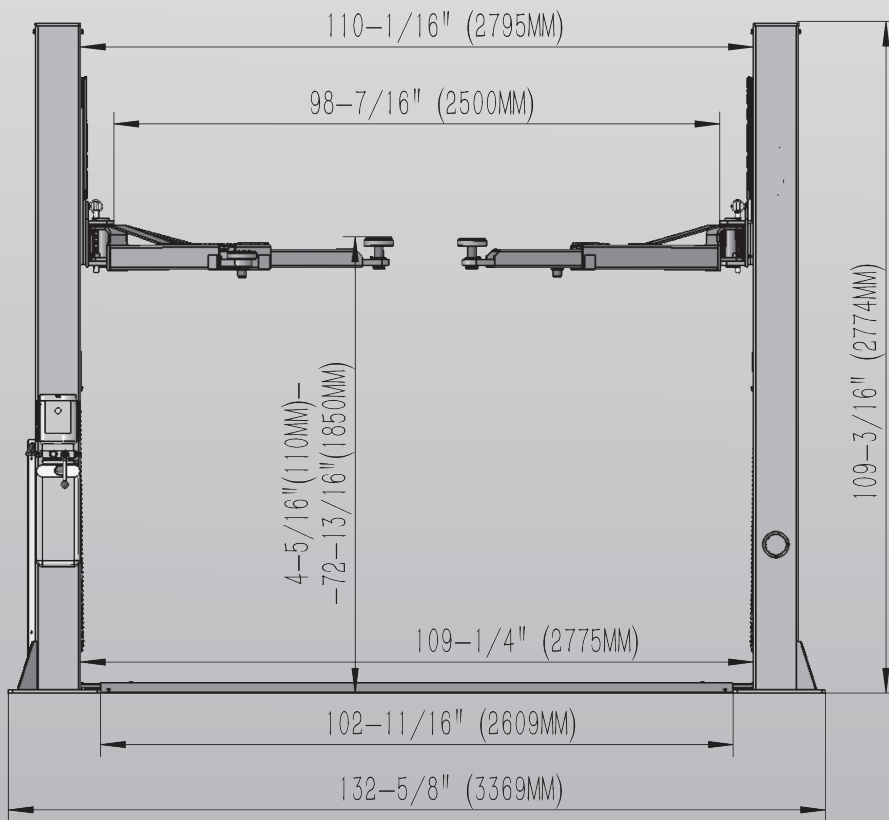


Drop In
Screw Pads



4WD Adapters

TLD4.0BP



Minimum Concrete Requirement

100mm

Recommended Ceiling Height

3.25m

Power Requirements

240v

2.2kw 14.5 amps

3 phase

2.2kw 7 amps

No neutral required

Freight Dimensions

283 x 54 x 103cm

585kg

