

TLR4.00H

4.0 Ton 2 Post Clear Floor Hoist



» 4.0 Ton lifting capacity

» Single lock release

» Clear floor design

» Asymmetric arms

» Durable charcoal Hammertone powder coat finish,
with orange arms

» Design registered with Worksafe

» Optional EV charging station

» 5 years structure, 1 year electrical, parts &
labour warranty

INCLUSIONS



Hydraulic Oil



Drop In Screw Pads



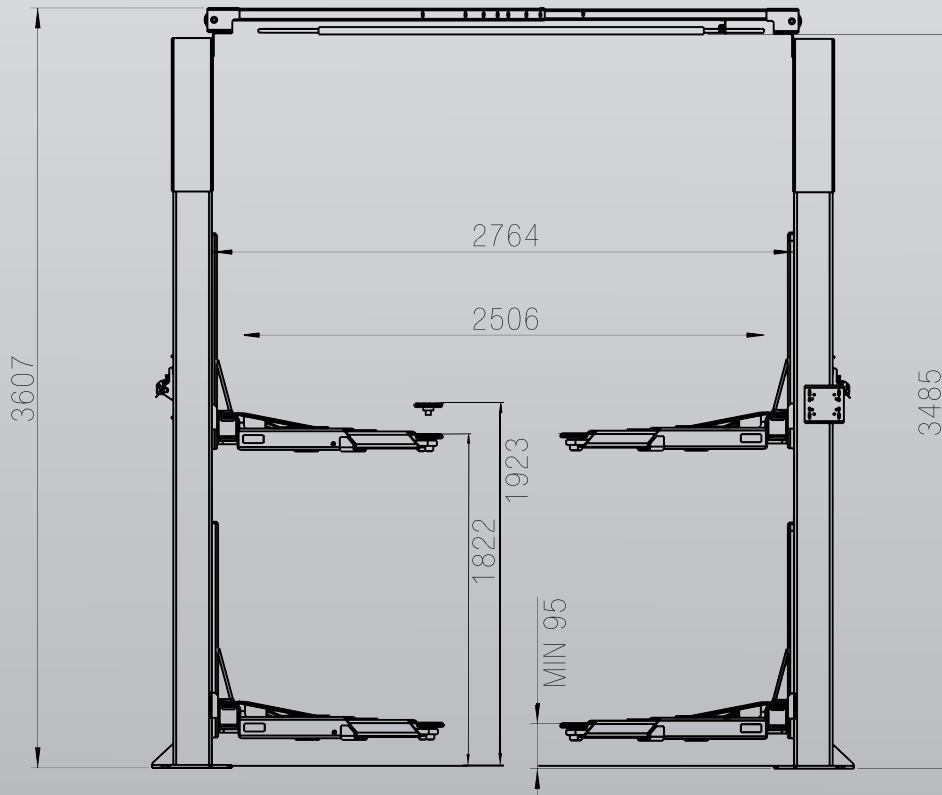
4WD Adapters

OPTIONS



EV Charging Station

TLR4.00H



Minimum Concrete Requirement
110mm
Recommended Ceiling Height
3.7m
Power Requirements
240v
15 amps
3 phase
7 amps
Freight Dimensions
290 x 48 x 110cm
680kg

