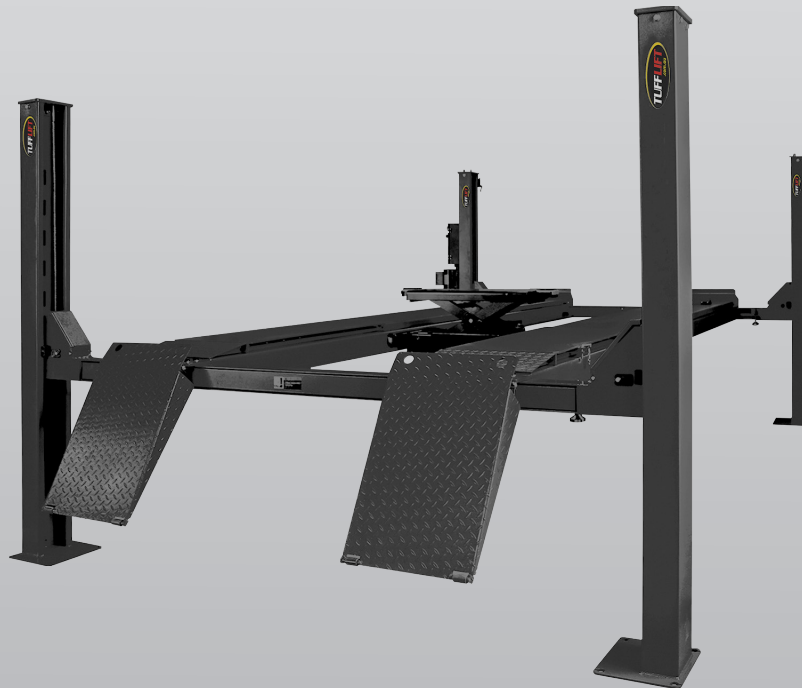


TLV4.0WH-AK4T

4.0 Ton 4 Post Workshop Wheel Alignment Hoist



- » 4.0 Ton lifting capacity
- » Durable charcoal Hammertone powder coat finish
- » Mechanical single point lock release
- » Mechanically locks multiple intervals
- » 5 Year structural, 1 year electrical, parts & labour warranty
- » Certified to Australian Standards and design registered with Worksafe

INCLUSIONS



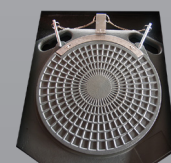
Hydraulic Oil

Wheel
Alignment Kit

OPTIONS



RJ45
Rolling Air
Pump Jack



EAE
Turntable Set

TLV4.0WH-AK4T

Minimum Concrete Requirement
100mm
Recommended Ceiling Height
3.6m

Power Requirements
<i>240v</i>
2.2kw 14.5 amps
<i>3 phase</i>
2.2kw 7 amps
No neutral required

Freight Dimensions
495 x 60 x 110cm
1085kg
208 x 102 x 22cm
310kg
101 x 59 x 30
143kg

