

TL2.7HP

2 Post 2.7 Ton Parking Hoist - Compact Full Platform



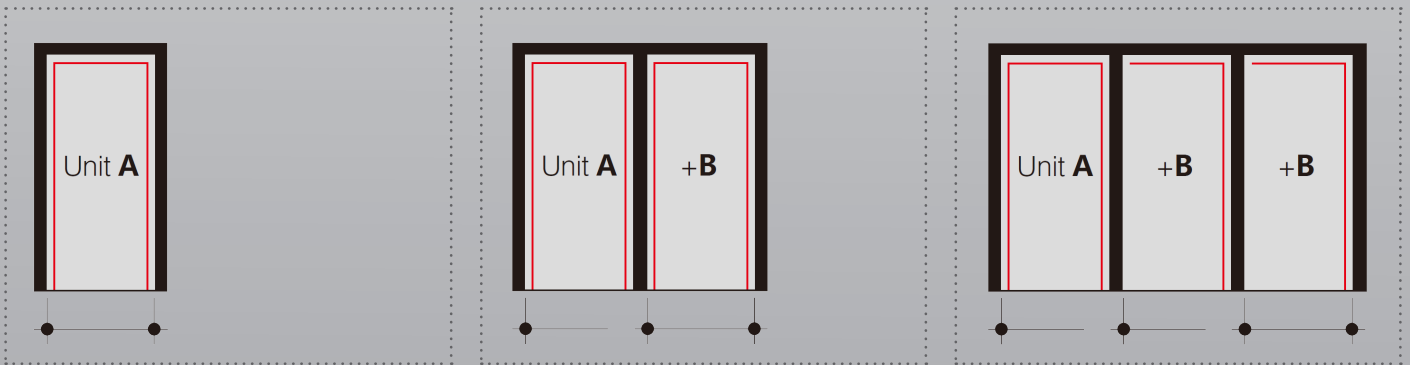
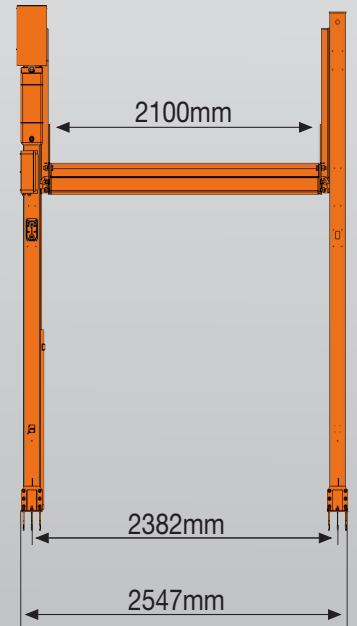
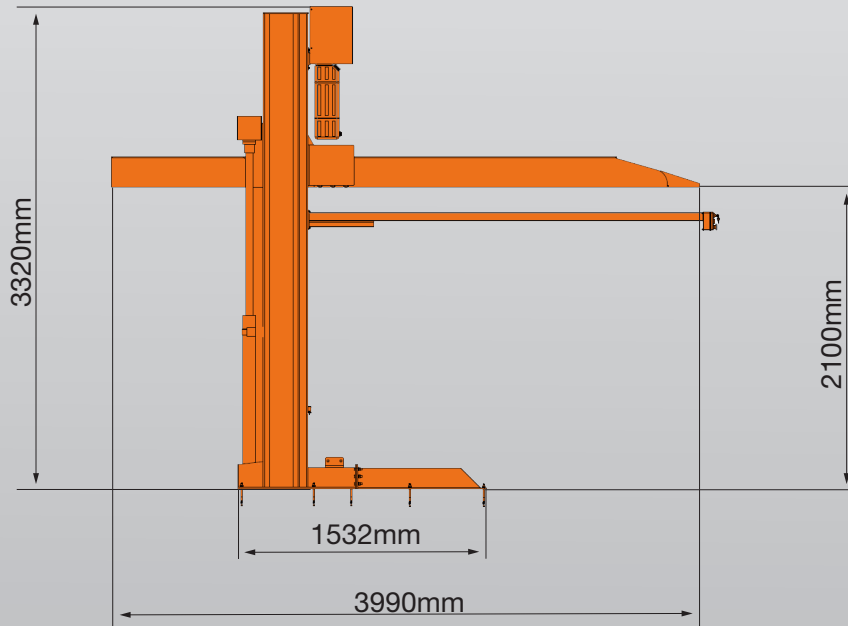
- » 2.7 Ton lifting capacity
- » Sharing post feature available
- » Galvanized and corrugated platform
- » Dual hydraulic lifting cylinders with direct drive
- » Specially designed control arm for operator to control the lift without being under the platform
- » Electronic lock release
- » Synchronization chain assuring the lifting platform is balanced
- » Hydraulic overloading protection
- » Durable charcoal Hammertone powder coat finish
- » 5 Years structural, 1 Year electrical parts & labour warranty
- » Certified to Australian Standards and design registered with Worksafe

INCLUSIONS



Hydraulic Oil

TL2.7HP



Total Width Required	Clear Platform Width	Total Width Required	Clear Platform Width	Total Width Required	Clear Platform Width
2547	2100	4929	2100	7311	2100
2647	2200	5129	2200	7611	2200
2747	2300	5329	2300	7911	2300
2847	2400	5529	2400	8211	2400
2947	2500	5729	2500	8511	2500

Power Requirements

240v
2.2kw 16.4 amps

3 phase
2.2kw 5 amps

Minimum Concrete Requirement

150mm

Recommended Ceiling Height

3.8-4m

Freight Dimensions

380 x 72 x 82cm
700kg