

TL4.0PH

4.0 Ton 4 Post Parking Hoist



» 4.0 Ton lifting capacity

» Double your parking space

» Mechanically locks each (170mm) interval

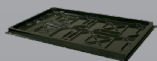
» Single point lock release

» Durable charcoal Hammertone powder coat finish

» 5 Year structural, 1 Year electrical, parts & labour warranty

» Certified to Australian Standards and design registered with Worksafe

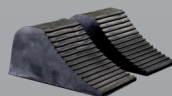
INCLUSIONS



Drip Trays



Wheel Stops



Wheel Chocks



Hydraulic Oil



Caster Kit

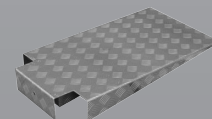


Steel Tool Tray

OPTIONS

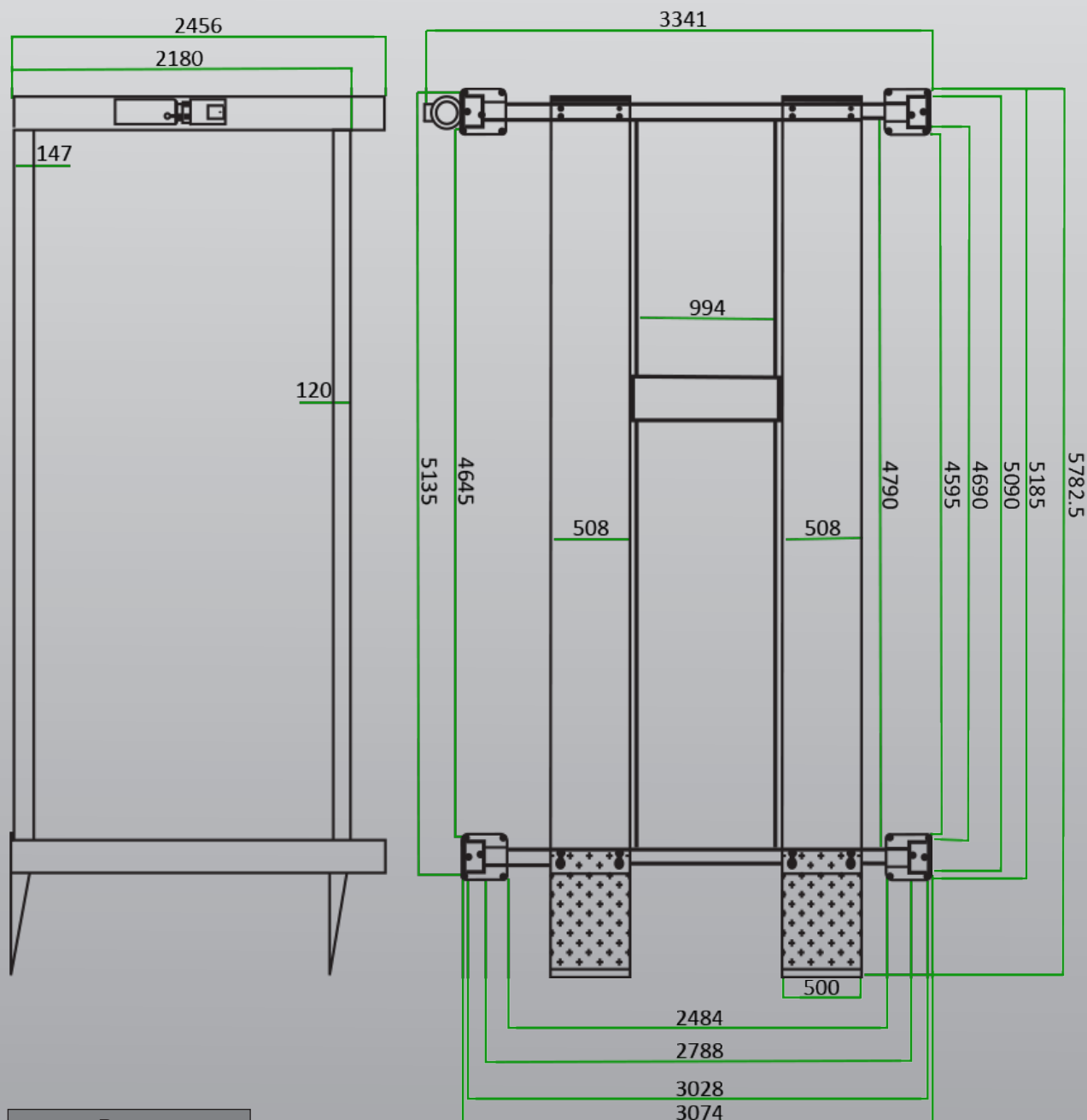


RJ45-AIR Air Pump Rolling Jack



Aluminium Approach Ramps

TL4.0PH



Power Requirements
240v
2.2kw 14.5 amps
3 phase
2.2kw 7 amps
No neutral required

Minimum Concrete Requirement
150mm
Recommended Ceiling Height
3.7m

Freight Dimensions
516 x 56 x 74cm
1085kg