

TLG4.0BP

4.0 Ton 2 Post Base Plate Hoist - TurfLift



» 4.0 Ton motor vehicle lifting capacity
3.0 Ton TurfLift capacity

» Designed for low ceiling clearance

» Symmetric arms

» Durable charcoal powder coat finish

» Standard motor vehicle arm kit included

» Dual lock release

» The TLG4.0BP is an all rounder hoist designed to lift by tyres or frame, providing access to gear box, blades, reels and other components

» Suitable for walk mowers, triplexes, fairway mowers, large cut mowers, golf carts and vehicles

» Mechanical carriage locks

» Arm locks

» Anti burst valve

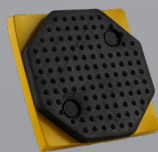
» 5 Year structural, 1 year electrical, parts & labour warranty

» Certified to Australian Standards and design registered with Worksafe

INCLUSIONS



Hydraulic Oil



Drop In
Screw Pads

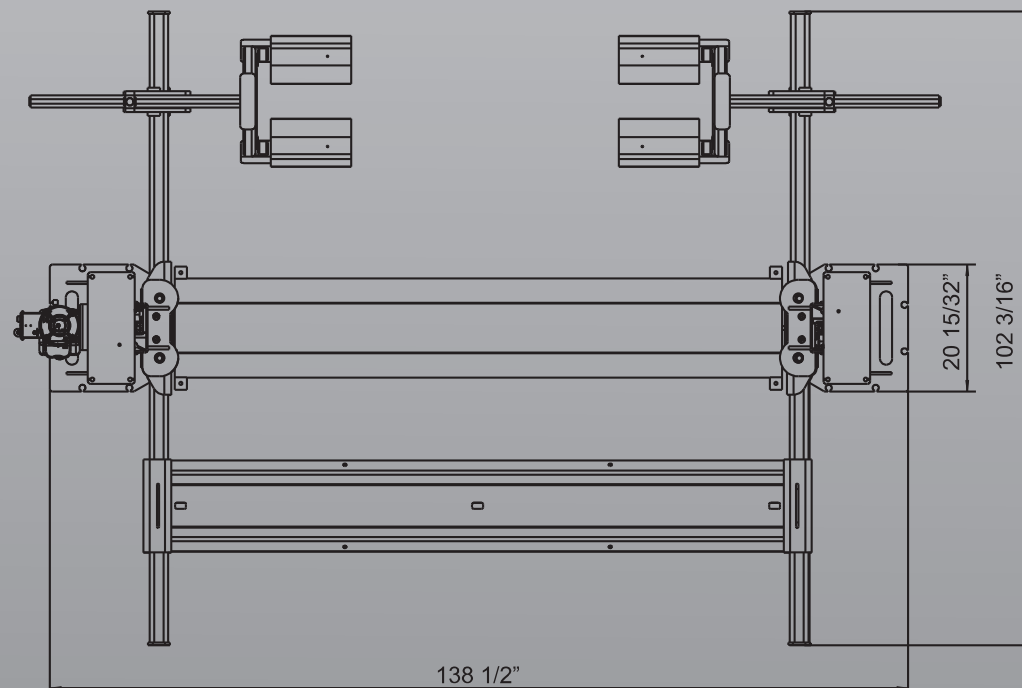
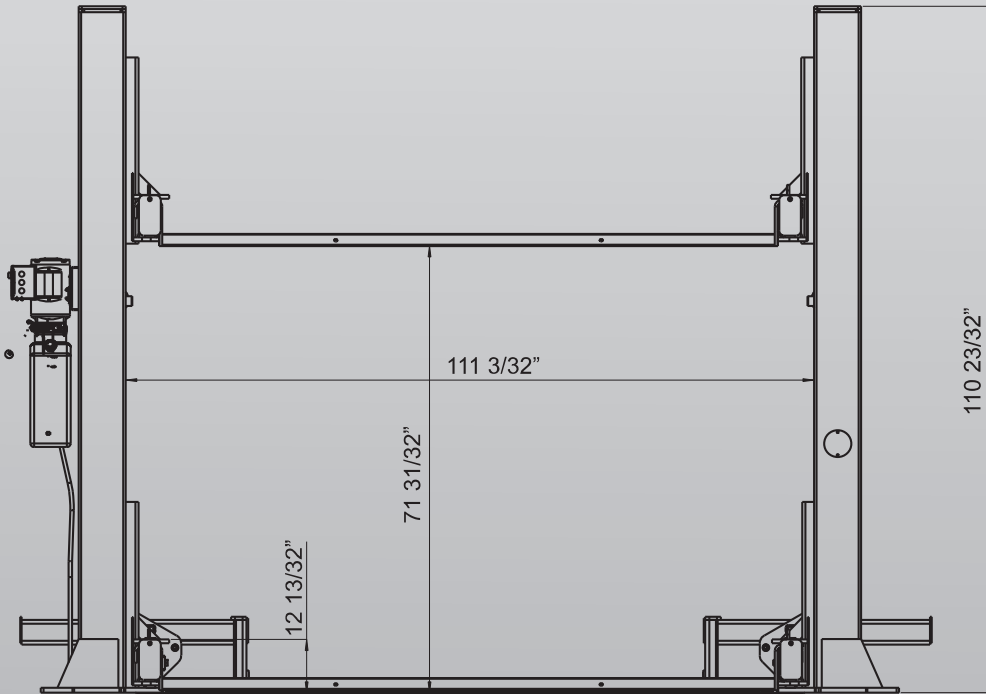


12 Piece
adapter set



Turf Kit

TLG4.0BP



Minimum Concrete Requirement

110mm

Recommended Ceiling Height

3.5-4m

Power Requirements

240v

2.2kw 15 amps

3 phase

2.2kw 7 amps

Freight Dimensions

1. 294 x 75 x 56cm
615kg

2. 272 x 53 x 51cm
475kg