

TLG4.0BP

4.0 Ton 2 Post Base Plate Hoist - TurfLift



» 4.0 Ton motor vehicle lifting capacity

» 3.0 Ton TurfLift capacity

» Designed for low ceiling clearance

» Symmetric arms

» Durable charcoal powder coat finish, with black arms

» Dual lock release

» Mechanical carriage locks

» Arm locks

» Anti burst valve

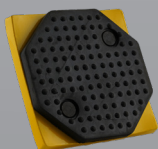
» 5 Year structural, 1 year electrical, parts & labour warranty

» Certified to Australian Standards and design registered with Worksafe

INCLUSIONS



Hydraulic Oil



Drop In
Screw Pads

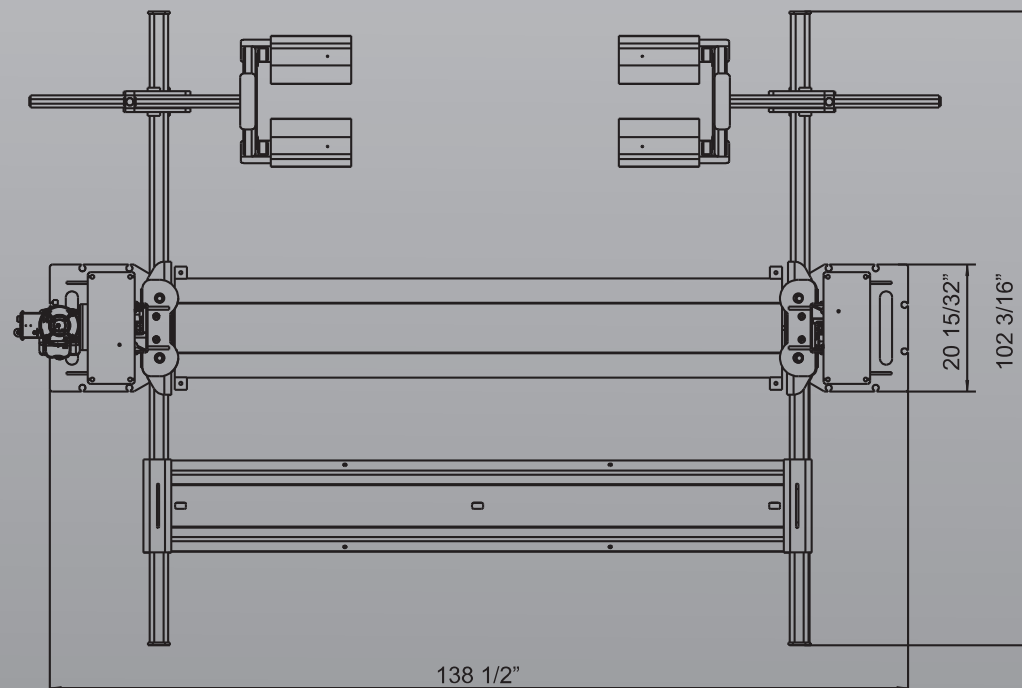
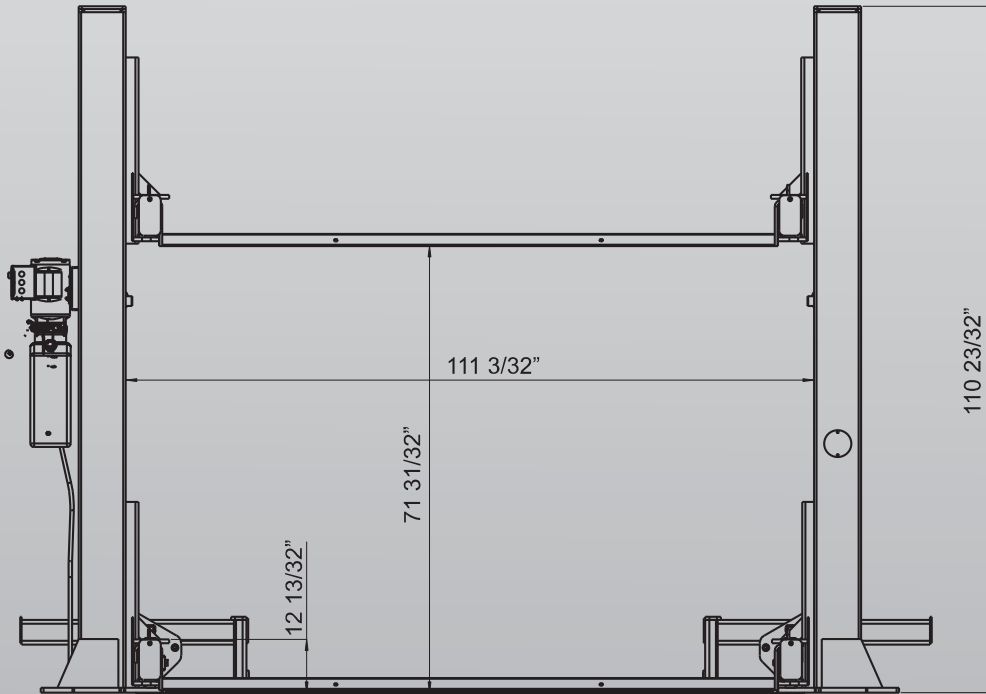


12 Piece
adapter set



Turf Kit

TLG4.0BP



Minimum Concrete Requirement

110mm

Recommended Ceiling Height

3.5-4m

Power Requirements

240v

2.2kw 15 amps

3 phase

2.2kw 7 amps

Freight Dimensions

1. 294 x 75 x 56cm
615kg

2. 272 x 53 x 51cm
475kg