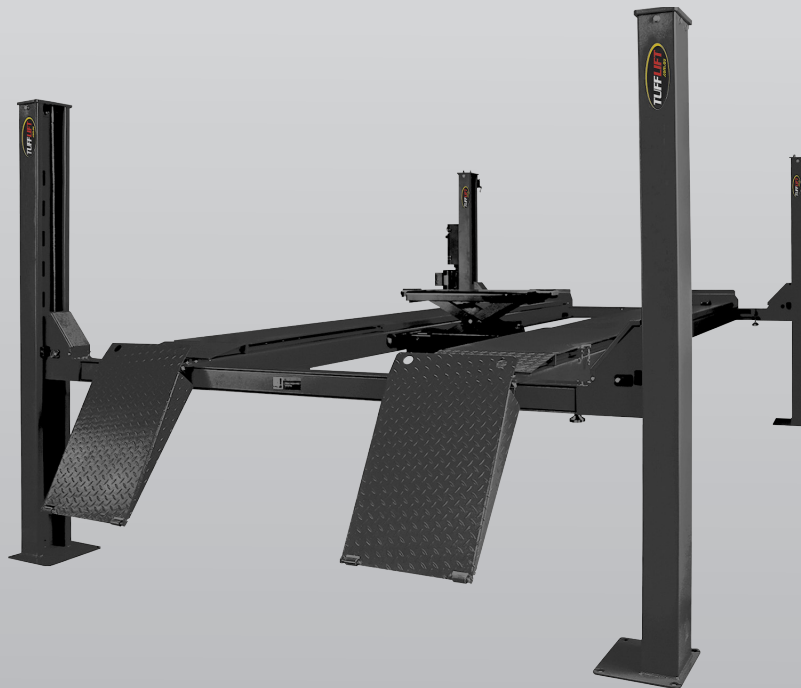


TLD8.0WA

8.0 Ton 4 Post Workshop Wheel Alignment Hoist



» 8.0 Ton lifting capacity

» Wider platforms perfect for catering to small and larger vehicles

» Integrated rear slip plates

» Durable charcoal Hammertone powder coat finish

» Pneumatic lock release

» Recessed areas in runways for turntables (not included)

» Mechanically locks at each interval

» 5 Year structural, 1 year electrical, parts & labour warranty

» Certified to Australian Standards and design registered with Worksafe

INCLUSIONS



Hydraulic Oil

OPTIONS



RJ90
Rolling Jack



EAE
Turntable Set

TLD8.0WA

Minimum Concrete Requirement
150mm
Recommended Ceiling Height
3.7m - 4m

Power Requirements
240v
3kw 18amps
<i>3 phase</i>
3kw 7amps

Freight Dimensions
642 x 75 x 92cm
2920kg

