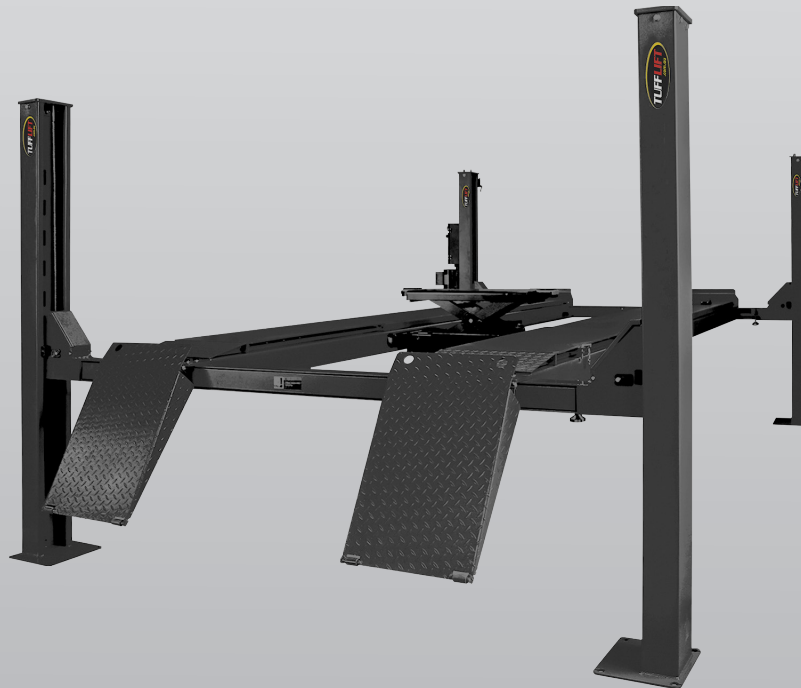


# TLV4.0WHWA

## 4.0 Ton 4 Post Workshop Wheel Alignment Hoist



- » 4.0 Ton lifting capacity
- » Durable charcoal Hammertone powder coat finish
- » Mechanical single point lock release
- » Mechanically locks multiple intervals
- » 5 Year structural, 1 year electrical, parts & labour warranty
- » Certified to Australian Standards and design registered with Worksafe

### INCLUSIONS



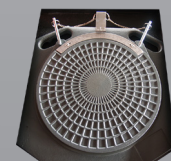
Hydraulic Oil



RJ45  
Rolling Air Pump Jack

Wheel  
Alignment Kit

### OPTIONS



EAE  
Turntable Set

# TLV4.0WHWA

<b>Minimum Concrete Requirement</b>	<b>Power Requirements</b>	<b>Freight Dimensions</b>
100mm	<i>240v</i>	1. 495 x 60 x 110cm 1085kg
<b>Recommended Ceiling Height</b>	2.2kw 14.5 amps	2. 208 x 102 x 22cm 310kg
3.6m	<i>3 phase</i>	3. 101 x 59 x 30 143kg
	2.2kw 7 amps	
	No neutral required	

