

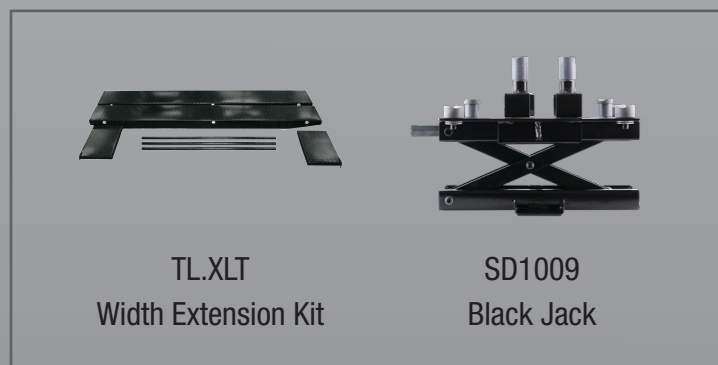
# TL.68MH

## 680kg Electric Over Hydraulic Motorcycle Hoist



- » 680KG Lifting capacity
- » Electric hydraulic control
- » Electric lock release
- » Removable front vice
- » 4 locking positions
- » Drop down plates at the end of each platform for easy removal of front and rear wheels
- » Magnetic remote control
- » Hammertone powder coat finish

### OPTIONS



# TL.68MH

**Freight Dimensions**

205 x 65 x 30cm  
250kg

**Power Requirements**

240v 5amps

**Working Pressure**

25Mpa

**Tank Capacity**

1.5L

